



CERTIFIED RECONDITIONED - STANDARD PRE-PROGRAMMED

Owner's Manual

Read and save these instructions



Vita-Mix® Corporation
8615 Usher Road
Cleveland, OH 44138-2103 U.S.A.
1-800-848-2649 / 1-440-235-4840
www.vitamix.com

CONTENTS

Contents	2
Let's Get Started	3
Service and Registration.....	4
Important Safeguards	5
Parts & Features	7
Control Panel.....	9
About the Blades	11
Tamper	12
How to Use the Tamper.....	13
Hints for Setting Speeds.....	14
Operating Instructions	15
Care and Cleaning	17
Troubleshooting.....	19
Warranty.....	20
Notes.....	22
Specifications	24

LET'S GET STARTED

Congratulations!

You are about to see how quick, easy, and delicious healthy eating can be!

Please read all the safety information, warnings, and instructional material found in this booklet before getting started. Set your Vitamix machine on a dry, level surface. Make sure that the power switch is set to Off, and that the machine is plugged into a grounded electrical outlet. Then, follow the cleaning instructions on page 17 to prepare your machine for use. Always clean your machine before the first use.

SERVICE AND REGISTRATION

Vitamix Service

Record the model number and serial number of your Vitamix in the spaces provided below for future reference. These numbers can be found on the back of the motor base.

Model Number _____

Serial Number _____

Date of Purchase _____

Purchased From _____

Before returning this product for any reason, including repair, first contact Vitamix Customer Service at 1-800-848-2649 or 1-440-235-4840, email service@vitamix.com, or contact your local dealer.

Product Registration

Your reconditioned Vitamix® machine was purchased directly from the Vita-Mix® Corporation. Your product was registered at the time of purchase and the machine's warranty has been activated.

IMPORTANT SAFEGUARDS



WARNING: To avoid the risk of serious injury when using your Vitamix® blender, basic safety precautions should be followed, including the following.



READ ALL INSTRUCTIONS, SAFEGUARDS, AND WARNINGS BEFORE OPERATING BLENDER.

1. Read all instructions.
2. Not intended for use by or near children or persons with reduced physical, sensory, or mental capabilities or lack of experience and knowledge. Close supervision is necessary when any appliance is used by or near children or incapacitated persons.
3. To protect against the risk of electrical shock, do not put the blender base in water or other liquid.
4. Unplug from outlet when not in use, before putting on or taking off parts, and before cleaning.
5. Avoid contacting moving parts.
6. Do not operate any appliance with a damaged cord or plug or after the appliance malfunctions, or is dropped or damaged in any manner. Call Vitamix Customer Service at 1-800-848-2649 or 1-440-235-4840 or email service@vitamix.com at once for examination, repair, replacement, or electrical or mechanical adjustment. If purchased outside the U.S.A. or Canada, contact your local Vitamix dealer.
7. Alteration or modification of any part of the blender base or container, including the use of any part or parts that are not genuine authorized Vitamix parts, may cause fire, electric shock, or injury.
8. The use of attachments not expressly authorized or sold by Vitamix for use with this blender, including canning jars, may cause fire, electric shock, or injury.
9. Do not use outdoors.
10. Do not let cord hang over edge of table or counter.
11. Do not let cord contact hot surface, including the stove.
12. Keep hands and utensils out of container while blending to reduce the risk of severe injury to persons or damage to the blender. A rubber scraper or spatula may be used, but only when the Vitamix blender is not running.
13. The tamper provided must be used only when the main part of the lid is in place.
14. Blades are sharp. Handle or remove blade and blade assembly from the container with extreme care to avoid injury. To reduce the risk of injury, never place a blade assembly on the motor base unless assembled to the Vitamix container.
15. Do not leave foreign objects, such as spoons, forks, knives or the lid plug, in the container as this will damage the blades and other components when starting the machine and may cause injury.
16. Never attempt to operate with damaged blades.

IMPORTANT SAFEGUARDS

17. Always operate blender with lid and lid plug firmly in place. The lid plug should be removed only when adding ingredients and when using the tamper.
18. When blending hot liquids or ingredients, use caution; spray or escaping steam may cause scalding and burns. Do not fill container to the maximum capacity. Always begin processing on the lowest speed setting, variable speed 1. Keep hands and other exposed skin away from the lid opening to prevent possible burns.
19. When making nut butters or oil-based foods, do not process for more than one minute after the mixture starts to circulate in the container. Processing for longer periods can cause dangerous overheating.

SAVE THESE INSTRUCTIONS


⚠ WARNING		
	<p>To Avoid Injury. Read and understand instruction manual before using this machine.</p>	

IMPORTANT INSTRUCTIONS FOR SAFE USE

This product is intended for HOUSEHOLD USE ONLY and is not intended to be used for commercial purposes.

Do not leave your Vitamix blender unattended when operating.

Any repair, servicing, or the replacement of parts must be performed by Vitamix or an authorized service representative.

⚠ WARNING	
	<p>Electrical Shock Hazard. Use grounded outlet only. DO NOT remove ground. DO NOT use an adapter. DO NOT use an extension cord. Failure to follow instructions can cause death or electrical shock.</p>

NOTICE: THE FAILURE TO FOLLOW ANY OF THE IMPORTANT SAFEGUARDS AND THE IMPORTANT INSTRUCTIONS FOR SAFE USE IS A MISUSE OF YOUR VITAMIX BLENDER THAT CAN VOID YOUR WARRANTY AND CREATE THE RISK OF SERIOUS INJURY.

PARTS AND FEATURES

On/Off Switch: The On/Off (or Power) Switch is on the right-hand side of the machine base. The On/Off Switch controls the power to the machine.

Start/Stop Switch: Pressing down on the Start/Stop Switch will initiate the blending process. Pressing down on the Start/Stop Switch again will stop the blending process.

Variable Speed Dial: The center Variable Speed Dial serves two functions; the use of three programs or the use of ten variable speed settings.

Pulse Switch (⏏): The Pulse Switch can be used when using Variable Speeds or Programs.

Container: Ounces, cups, and milliliters are clearly marked.

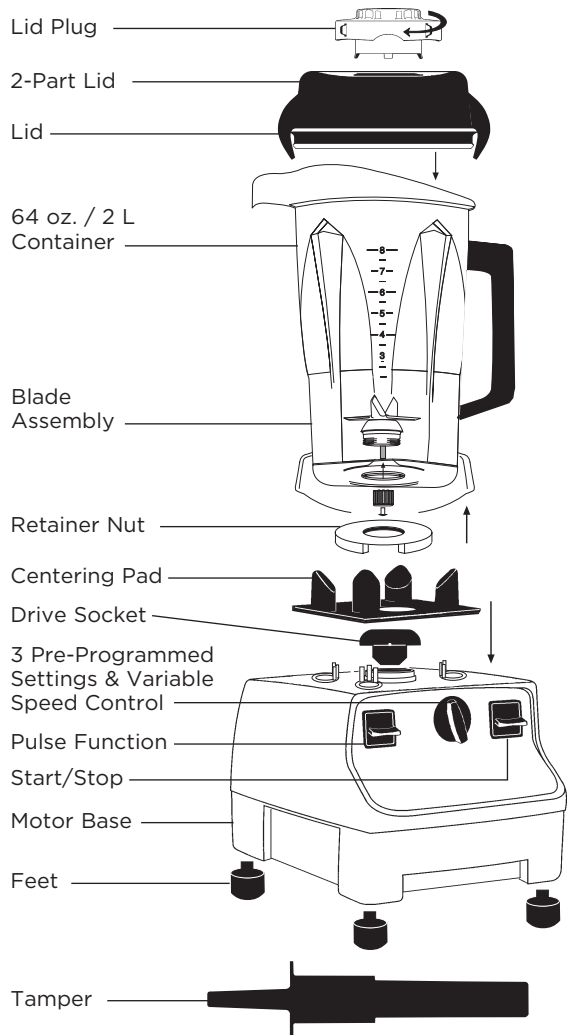
2-Part Lid: The 2-part Lid is easy to put on and take off and easy to clean. Always use the lid and the lid plug when the machine is in operation.

CAUTION: Lids and tampers are not interchangeable between different container styles, types, and sizes.

Snap the lid onto the container and leave in place for a few minutes. Once the lid has been left on the container, it will be much easier to lock or remove.

Lid Plug: Insert through the lid and secure by turning clockwise. Remove the lid plug to use the tamper or add ingredients.

Tamper: The tamper allows you to accelerate the process of very thick and/or frozen mixtures that cannot be processed in a regular blender. Using the tamper maintains circulation by preventing air pockets from forming.



PARTS AND FEATURES

⚠ WARNING



Rotating Blades Can Cause Severe Injury.
DO NOT reach into container while machine is running.



To Lock the Lid in Place: Position lid on container with lid flaps midway between the spout and the handle. Push the lid onto the container until it locks in place. The lid must always be secured when processing, especially hot liquids that may scald. **Never operate the blender without checking to make sure the lid is securely locked in place.**

To Remove the Lid: Lift up on one lid flap while holding the container securely.

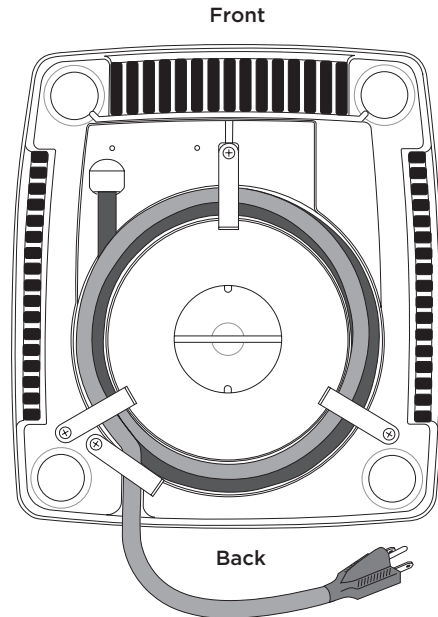
To Remove the Lid Plug: Rotate the lid plug counterclockwise from the “locked” to “unlocked” position and lift out.

Automatic Overload Protection: Your Vitamix motor is designed to protect itself from overheating. If the motor shuts off, follow these instructions:

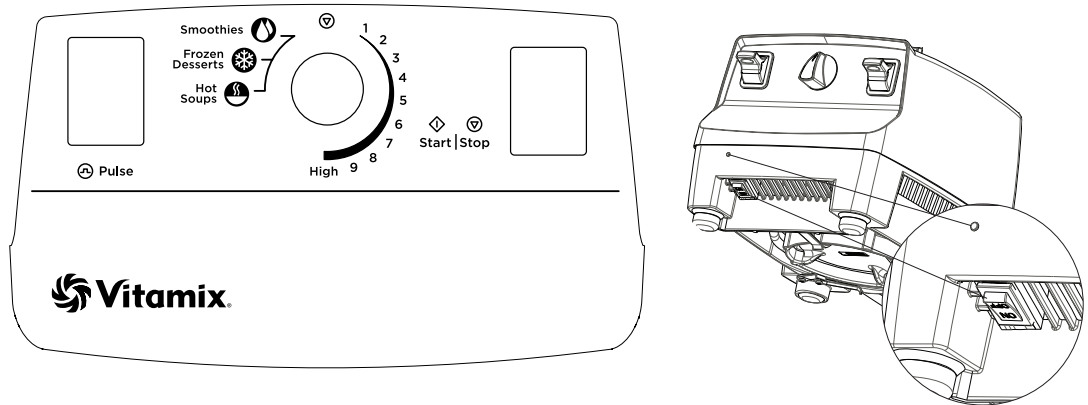
Turn off the power switch for up to 45 minutes to reset. Reset time will be extended if high room temperatures exist. To reduce the reset time, unplug the machine, remove the container, and blow air into the center section of the bottom with a hair dryer on the cool setting.

Power Cord: Your machine is equipped with a long power cord. Store the unused portion neatly underneath.

Bottom View / Cord Wrap: Plastic cord retainers hold the cord securely. They are flexible, and return to position after the cord is lifted out.



CONTROL PANEL



1. **On/Off Switch (I)/(O):** The switch is located on the front left side of the machine below the control panel and below the On/Off light. The On/Off Switch controls the power to the machine.
BEFORE moving the On/Off Switch to the On (I) position, make sure the marker on the Variable Speed Dial is pointed at the Stop Symbol (⏹) at the top of the dial.

After plugging in the unit, move the On/Off Switch to the On position to ready the machine for blending. Move the On/Off Switch to the Off position at night and whenever the machine will be left unattended.

If the On/Off switch is moved to the Off position to stop a program mid-cycle, wait 30 seconds for power to recycle and the timer to reset before moving the On/Off switch to the On position.

When the Pulse, Start/Stop, and Program Symbols brighten, the On/Off Switch is in the On position and power is flowing..

2. **On/Off Light:** The light is located on the front left side of the machine below the control panel and above the On/Off switch. (See illustration above.) When lit, the machine is plugged in and the On/Off switch is powered On. The power light will flash when a pre-programmed setting is used to indicate that the program is near completion. Push down the Start/Stop switch to activate a program or initiate continuous Variable speed operation.
3. **Start (◊)/Stop (⏹) Switch:**

After the marker on the Variable Speed Dial is rotated off of the Stop Symbol (⏹) to either Variable Speed 1 or a Program setting, press the Start/Stop Switch to start the machine and initiate the blending process. Pressing the Start/Stop Switch again will stop the blending process.



Programs can be interrupted by pushing down the Start/Stop switch at any time. If reactivated by pushing down the Start/Stop switch, the program will start at the beginning.

CONTROL PANEL

4. Pulse Switch (⏏):

Variable Speed: Pressing down on the Pulse Switch will cause the machine to blend at the speed setting shown on Variable Speed Dial for as long as the Pulse Switch is held down.

Programs: The Pulse function can be used when a program is selected. Pushing down the Pulse switch when a program is selected will cause the machine to run at 50% of high power for as long as the Pulse switch is pushed down.

⚠ CAUTION		
	<p>Never Start on Speeds Above 1 with Hot Liquids to Avoid Possible Burns.</p> <p>Escaping steam, splashes or contents may scald. To secure the contents, lock the lid and lid plug securely in place prior to operating the machine. Always start on Variable 1, slowly increase to 10.</p>	

5. Variable Speed Dial:

The Variable Speed Dial serves two functions; the use of three programs settings or ten variable speed settings.

- To use programs: rotate the Variable Speed Dial to the left to the desired program.
- To use Variable Speed:
 - a. Rotate the Variable Speed dial right to 1.
 - b. Press down on the Start/Stop switch.
 - c. Rotate the Variable Speed dial to the right or left during blending to increase or decrease the speed of the blades.
 - d. At the end of the blending cycle, rotate the marker on the Variable Speed dial back to the Stop Symbol (⏏) at the top of the dial.

6. Programs:

Your machine is equipped with three program settings for the most commonly used recipes. Rotating the Variable Speed Dial left of center allows you to select a program for Smoothies, Frozen Desserts, and Hot Soups. These programs are optimized for these recipe categories, but may also work well with other recipe choices.

The programs vary in blending speed and duration and will automatically stop at the end of the program. The Smoothie (🌀) program runs for approximately 45 seconds. The Frozen Dessert (❄️) program runs for approximately 55 seconds. The Hot Soup (🍲) program runs for approximately 5 minutes 45 seconds.

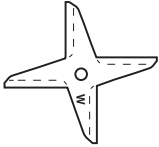
ABOUT THE BLADES

The Vitamix machine comes standard with the wet blade container. The blade is identified by a “W” for wet. This blade is used for most of your recipes. Additional containers with wet or dry blades may be purchased separately.

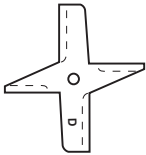
⚠ WARNING



Rotating Blades Can Cause Severe Injury.
DO NOT reach into container while machine is running.



Wet Blade Container: Designed for processing liquids, including juice, frozen mixtures, sauces, soups, purees, batters, and for wet chopping. The wet blades can also grind grain and knead dough, but they are not quite as efficient as the dry blades in this application. If used for grinding, your container will mar and become cloudy; see instructions for dry container use.



Dry Blade Container: These blades are clearly marked “D” and are designed specifically for grinding dry materials such as grains, cereal, and coffee, and are also used for kneading bread dough. The dry blades can NOT process liquids efficiently. *If you grind herbs on a regular basis, you may wish to purchase a separate dry blade container and replace blades as needed.*

⚠ CAUTION



Moving Parts May Become Hot With Extended Use.

DO NOT touch.



TAMPER

⚠ CAUTION

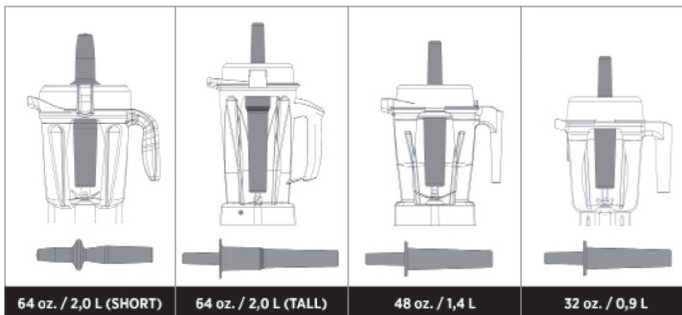


Rotating Blades Can Cause Damage.

Lids and tampers are not interchangeable between different container styles, types, and sizes. Use the tamper that was supplied with your machine.

How to Determine the Tamper that Can Be Used with Your Container

Each type of tamper is designed to be used safely and effectively with a particular container. **If a tamper came with your container, it is the correct tamper for the container.** If a tamper did not come with your container, or you want to determine if a tamper that you already have can be used with your new container, please compare your container with the containers and matching tampers to the illustration below. Before using the tamper during the blending process, verify that it is the correct tamper.



- 64 oz. Short Containers use Tamper P/N 016041 that is approximately 9-3/4 inches long.
- 64 oz. Tall Containers uses Tamper P/N 000760 that is approximately 12-1/2 inches long.
- 32 oz. and 48 oz. Containers use Tamper P/N 015033 that is approximately 11 inches long.

To verify that you are using the correct tamper, place the lid on an empty container, remove the lid plug and insert the tamper. If it is the correct tamper it should easily fit into the opening but will not come in contact with the blades no matter how you move the tamper inside the container. **IF THE TAMPER TOUCHES THE BLADES AT ANY ANGLE - DO NOT USE THE TAMPER WITH YOUR CONTAINER.**

If you do not have the correct tamper for your container, call Vitamix Customer services at 1-800-848-2649 or 1-440-235-4840 or e-mail service@vitamix.com to order a new tamper. If purchased outside the United States or Canada, contact your local Vitamix Dealer.

HOW TO USE THE TAMPER

⚠ WARNING



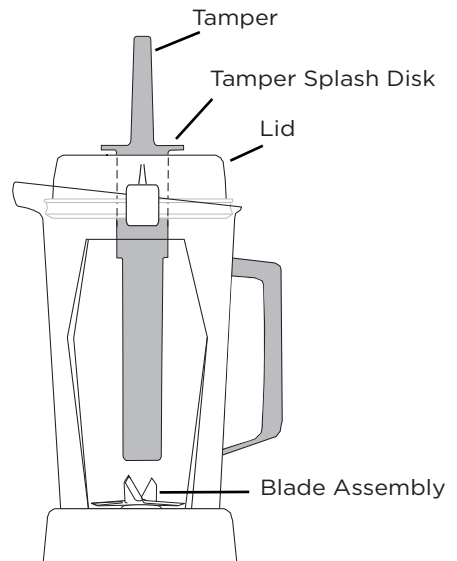
Rotating Blades Can Cause Severe Injury.

- **DO NOT** put hands, spatulas, etc. in the container while the machine is running or while the container is still on the base.
- Lids and tampers are not interchangeable between different container styles, types, and sizes. Use the tamper that was supplied with your machine.



IMPORTANT:

- The splash disk (near the top of the tamper) and lid prevent the tamper from hitting the blades when the lid is secured properly in the locked position.
- The container should not be more than two-thirds full when the tamper is used during blending.
- To avoid overheating during blending, **DO NOT** use the tamper for more than 30 consecutive seconds.
- If the food does not circulate, the machine may have trapped an air bubble. Carefully remove the lid plug while making sure the lid stays firmly in place. Release the air bubble by inserting the tamper through the lid plug opening.
- Holding the tamper straight down may not help the ingredients circulate. If necessary, point the tamper toward the sides or corners of the container. **DO NOT** try to force the tamper deeper into the container.



HINTS FOR SETTING SPEEDS

Hints for Setting Speeds (Variable Speed Option)



Before using the Variable Speed option, always begin with the Variable Speed Dial marker pointed at the Stop Symbol (⏻) at the top of the dial.

1. Rotate the dial right to Variable Speed 1.
2. To activate the blending process, press down on the Start/Stop Switch.
3. Slowly turn the Variable Speed Dial to the desired speed depending on the recipe used.
4. At the end of the blending cycle, rotate the Variable Speed dial back to the Stop Symbol (⏻) at the top of the dial.

Use the highest setting called out in the recipe for as much of the processing time as possible to make whole-food juices, soups, shakes, frozen mixtures, purées, nut butters, and for grinding grains. Processing times will generally be less than one minute (most take less than 30 seconds). Higher speed provides the best quality of refinement, breaking down ice, frozen fruit, whole fruits or vegetables, and grains to a smooth, lump-free consistency.

Blending too long at too low of a speed setting will overheat the machine and cause the Automatic Overload Protection to turn off the machine. Blending on higher speed maximizes the motor's cooling fan to avoid overheating.

If the mixture stops circulating, you may have trapped an air bubble. To resolve Insert the tamper through the lid plug and stir until it "burps." If this does not work, press the On/Off switch to stop the motor. Remove the container from the motor base, and use a rubber spatula to press the air bubble away from the blades. Return the container to the motor base, replace the lid, and continue blending.

⚠ CAUTION		
	<p>Never Start on Speeds Above 1 with Hot Liquids to Avoid Possible Burns.</p> <p>Escaping steam, splashes or contents may scald. To secure the contents, lock the lid and lid plug securely in place prior to operating the machine. Always start on Variable 1, slowly increase to 10.</p>	



OPERATING INSTRUCTIONS

Wet Blade Container

The Wet Blade Container is designed for processing liquids, including juice, frozen mixtures, sauces, soups, purées, batters, and for wet chopping.

Before using this container for Programs or the Variable Speed option, always begin with the Variable Speed Dial pointed at the Stop Symbol (⊞) at the top of the dial.

1. Move the On/Off switch to the On position.
2. Load the container before placing it on the motor base. Place liquids and soft foods in the container first, solid items and ice last. Although not necessary for blending, you may want to cut or break food into smaller pieces for more precise measuring of ingredients.
3. Securely fasten the 2-part lid. Always use the complete 2-part lid when blending (unless the tamper is inserted through the lid plug opening). Especially when blending hot ingredients, make sure that the lid is securely latched.
4. With the motor off, set the wet blade container on the motor base by aligning it over the centering pad. Do not ever attempt to put a container on an operating motor base or to operate a motor base without a container properly in place.
5. Use the Variable Speed dial to select a function.
 - Variable Speed - Rotate the dial right of center to Variable Speed 1.
 - Programs - Rotate the dial left of center to the desired program.
6. Activate the blades by pressing the Start/Stop Switch. Your container may shift as it gets into an aligned position.
 - Variable Speed - slowly rotate the Variable Speed dial to the right to the desired speed.
 - Programs - The programs vary in blending speed and duration and will automatically stop at the end of the program. Programs can be interrupted by pushing down the Start/Stop switch at any time. If reactivated by pushing down the Start/Stop switch, the program will start at the beginning.
7. If the mixture stops circulating, you may have trapped an air bubble. To resolve Insert the tamper through the lid plug and stir until it “burps.” If this does not work, press the On/Off switch to stop the motor. Remove the container from the motor base, and use a rubber spatula to press the air bubble away from the blades. Return the container to the motor base, replace the lid, and continue blending.
8. **Take proper care when handling and processing hot ingredients and making hot soups and sauces.**

⚠ CAUTION		
	<p>Never Start on Speeds Above 1 with Hot Liquids to Avoid Possible Burns.</p> <p>Escaping steam, splashes or contents may scald. To secure the contents, lock the lid and lid plug securely in place prior to operating the machine. Always start on Variable 1, slowly increase to 10.</p>	

OPERATING INSTRUCTIONS

9. Due to the machine's speed, processing times are much quicker than standard appliances. Until you are accustomed to the machine, count your time carefully to avoid over-processing.
10. After pressing the Start/Stop switch to stop the cycle, wait until the blades stop completely before removing the lid or container from the motor base.

Dry Blade Container

Before using this container for programs or the Variable Speed option, always begin with the Variable Speed Dial pointed at the Stop Symbol (⏹) at the top of the dial.

If purchased, your dry blade container should be used only for hard, dry materials, such as grain, and for kneading dough.

1. Load the container before placing it on the motor base.
2. Securely fasten the 2-part lid. Always use the complete 2-part lid when blending (unless the tamper is inserted through the lid plug opening).
3. With the motor off, set the dry blade container on the motor base by aligning it over the centering pad. Do not ever attempt to put a container on an operating motor base or to operate a motor base without a container properly in place.
4. To begin, make sure the On/Off switch is in the On position.
5. Use the Variable Speed dial to select a function.
 - Variable Speed - Rotate the dial right of center to Variable Speed 1.
 - Programs - Rotate the dial left of center to the desired program.
6. Activate the machine by pressing the Start/Stop Switch. Your container will shift and get into an aligned position.
 - Variable Speed - slowly increase the Variable Speed to the desired speed.
 - Programs - The programs vary in blending speed and duration and will automatically stop at the end of the program. Programs can be interrupted by pushing down the Start/Stop switch at any time. If reactivated by pushing down the Start/Stop switch, the program will start at the beginning.

CARE AND CLEANING

Container

To prepare your new machine for initial use, follow the steps under Normal Cleaning below. This will clean the unit and break-in the motor.

Normal Cleaning

Always begin with the Variable Speed Dial pointed at the Stop Symbol (⏹) at the top of the dial.

1. Fill the container half full with warm water and add a couple drops of liquid dish washing detergent to the container.
2. Snap or push the complete 2-part lid into the locked position.
3. Rotate the Variable Speed dial to 1. Press the Start/Stop switch. Slowly increase Variable speed to High. Run the machine for 30 to 60 seconds. Rotate the Variable Speed dial to the Stop Symbol (⏹) at the top of the dial.
4. Rinse and drain the container.

To Sanitize

Always begin with the Variable Speed Dial pointed at the Stop Symbol (⏹) at the top of the dial.

1. Follow the cleaning instructions above.
2. Fill the container half full with water and 1 1/2 teaspoons of liquid bleach.
3. Snap or push the complete 2-part lid into the locked position.
4. Rotate the Variable Speed dial to 1. Press the Start/Stop switch. Slowly increase Variable speed to High. Run the machine for 30 to 60 seconds. Rotate the Variable Speed dial to the Stop Symbol (⏹) at the top of the dial.
5. Allow mixture to stand in the container for an additional 1 1/2 minutes.
6. Pour bleach mixture out. Allow container to air dry.
7. Do not rinse after sanitizing.

Lid, Lid Plug and Tamper


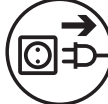
Separate the lid and lid plug. Wash parts in warm, soapy water. Rinse clean under running water and dry. Reassemble before use.

IMPORTANT: To ensure continued and effective performance, do not put the container, lid, lid plug or tamper in the dishwasher.

CARE AND CLEANING

Motor Base

1. Unplug the power cord.

⚠ WARNING		
	<p>Electrical Shock Hazard. Disconnect power before cleaning machine.</p> <p>Failure to follow instructions can cause death or electrical shock.</p>	

2. Wash the outside surface with a damp, soft cloth or sponge that has been rinsed in a mild solution of liquid detergent and warm water. Do not place the motor base in water.
3. The centering pad can be removed for more thorough cleaning.
4. Thoroughly clean the switches so they work freely. They may become sticky from use. Use a moistened cotton swab to clean the grooves around the water-shielded switches. Immediately dry any excess water.
5. Polish with a soft cloth.

TROUBLESHOOTING

Automatic Overload Protection

Your Vitamix machine is equipped with a special feature: Automatic Overload Protection. This built-in feature is designed to protect the motor and prevent your machine from overheating. That means peace of mind for you as a Vitamix owner. When engaged, this Automatic Overload Protection will cause the motor to shut off and possibly emit a light odor.

If your Automatic Overload Protection should ever be activated, refer to page 8 in this manual to easily reset your machine.

Tips to prevent “overloading” your Vitamix machine:

- Process only Vitamix recipes when learning to use the machine
- Do not process recipes at lower speeds than recommended
- Do not process recipes at higher speeds than recommended
- Do not process recipes longer than recommended
- Use your tamper to process thicker mixtures and keep ingredients moving around and through the blades

Retainer Nut Loosening

In the event that the retainer nut at the bottom of your container loosens and no longer securely holds the blade assembly in place, **DO NOT CONTINUE TO USE THE CONTAINER**. Call Vitamix Customer Service at 1-800-848-2649 or 1-440-235-4840, or your local dealer immediately for instructions.

WARRANTY

Full 5-Year Reconditioned Machine Warranty

1. PRODUCT REGISTRATION.

Vita-Mix® Corporation (“Vitamix”) strongly encourages you to register your purchase by completing and returning the product registration card that came with this Machine. You can register online at www.vitamix.com/warranty; or by calling our Customer Service Department at 1-800-848-2649 or 1-440-235-4840. Failure to register your product purchase will not diminish your warranty rights. However, registering your purchase will allow Vitamix to better serve you with any of your customer service needs.

2. WHO CAN SEEK WARRANTY COVERAGE.

This Warranty is extended by Vitamix to the owner of this Machine for personal household use only. This Warranty does not apply to products used for commercial, rental or re-sale purposes. Should ownership of the machine change during the 5-year period, please update the Machine’s owner information at www.vitamix.com/warranty.

3. WHAT IS COVERED.

Vitamix warrants to the owner that if this Machine (*a “Machine” consists of a motor blender base and any containers purchased together*) fails within 5 years from the date of purchase due to a defect in material or workmanship or as a result of normal wear and tear from ordinary household use, Vitamix will, within 30 days of receipt of the returned product, repair the failed Machine or component part of the Machine free of charge.

If, in Vitamix’s sole discretion, the failed Machine or component part of the Machine cannot be repaired, Vitamix will elect to either (A) replace the Machine free of charge or (B) refund the full purchase price to the owner, unless Vitamix receives prior written notice of the owner’s preference.

4. WHAT IS NOT COVERED.

This Warranty does not apply to Machines that have been used commercially or in non-household applications. This Warranty does not cover cosmetic changes that do not affect performance, such as discoloration or the effects of the use of abrasives or cleaners or food build up. This Warranty is only valid if the Machine is used and maintained in accordance with the instructions, warnings and safeguards contained in the owner’s manual.

Vitamix will not be responsible for the cost of any unauthorized warranty repairs.

REPAIR, REPLACEMENT OR REFUND OF THE PURCHASE PRICE ARE THE EXCLUSIVE REMEDIES OF PURCHASER AND THE SOLE LIABILITY OF VITAMIX UNDER THIS WARRANTY. NO EMPLOYEE OR REPRESENTATIVE OF VITAMIX IS AUTHORIZED TO MAKE ANY ADDITIONAL WARRANTY OR ANY MODIFICATION TO THIS WARRANTY WHICH MAY BE BINDING UPON VITAMIX. ACCORDINGLY, PURCHASER SHOULD NOT RELY UPON ANY ADDITIONAL STATEMENTS MADE BY ANY EMPLOYEE OR REPRESENTATIVE OF VITAMIX. IN NO EVENT, WHETHER BASED ON CONTRACT, INDEMNITY, WARRANTY, TORT (INCLUDING NEGLIGENCE), STRICT LIABILITY OR OTHERWISE, SHALL VITAMIX BE LIABLE FOR ANY SPECIAL, INDIRECT, INCIDENTAL OR CONSEQUENTIAL DAMAGES, INCLUDING, WITHOUT LIMITATION, LOSS OF PROFIT OR REVENUE.

Some states do not allow limits on warranties. In such states, the above limitations may not apply to you. Outside the U.S.A. and Canada, other warranties may apply.

WARRANTY

5. WHAT VOIDS THIS WARRANTY.

Abuse, misuse, negligent use, alteration of the Machine, exposure to abnormal or extreme conditions, or failure to follow the operating instructions will void this Warranty.

The Warranty is also void if repairs to the Machine or any component part of the Machine are performed by someone other than either Vitamix or an authorized Vitamix Service Provider or if any component part of a Machine subject to this Warranty is used in combination with a motor base or container that is not expressly authorized by Vitamix.

6. HOW TO OBTAIN RETURN AUTHORIZATION UNDER THIS WARRANTY.

In the event that the Machine or any component part of the Machine needs service or repair, please call Vitamix Customer Service at 1-800-848-2649 or 1-440-235-4840. You will be asked to provide a date of purchase and proof of purchase for any product that has not been registered with Vitamix. For product subject to this Warranty you will be provided with a return authorization number, up-to-date shipping instructions and a pre-paid return pick up label. Vitamix will pay standard shipping costs on the return of a Machine or component part for warranty service and repair and for return shipment of the product to you after the warranty repair or replacement. Purchaser is responsible for the costs of special shipping requests.

Within the U.S.A., this Warranty is honored directly through the Vita-Mix® Corporation.

Vita-Mix® Corporation
8615 Usher Road
Cleveland, Ohio 44138-2199
1-800-848-2649
service@vitamix.com

You will be deemed to have accepted the returned product "as is" upon delivery unless you notify Vitamix of any problem, including shipment damage, within 48 hours of delivery.

SPECIAL INTERNATIONAL INSTRUCTIONS

If a machine was purchased within the U.S.A, but is currently outside the U.S.A., all shipping and resulting taxes and duties are at the owner's expense. Call +1-440-235-4840 or email service@vitamix.com for more details.

SPECIFICATIONS

Vitamix® Certified Reconditioned - Standard Pre-Programmed

Motor:

≈ 2 peak output horsepower motor

Electrical:

120 V, 50/60 Hz, 11.5 A

Uses a U.S.A. three-prong grounded cord.

Dimensions:

Height: 20.3 in. / 51,6 cm

Width: 8.8 in. / 22,4 cm

Depth: 9 in. / 22,9 cm

When applicable:



To see the complete line of Vitamix® products,
visit vitamix.com.



Vita-Mix® Corporation
8615 Usher Road
Cleveland, OH 44138-2103 U.S.A.
1-800-848-2649 / 1-440-235-4840

www.vitamix.com

©2013 Vita-Mix® Corporation. No part of this publication may be reproduced or transmitted in any form or by any means or stored in a database or retrieval system without the written permission of the Vita-Mix® Corporation.