



BLENDING STATION® ADVANCE®

The Right Blend of Timing and Speed

The Blending Station Advance has been engineered for perfection including a noise reducing cover for an improved customer experience.

Smart Product Design

- Powerful ≈3 peak output HP motor for unmatched performance on the toughest blends in coffee, smoothie, and ice cream shops
- 93 speeds, a variable speed control, and automatic shut-off provide the ultimate in blending flexibility for creating endless number of recipes to expand your menu offering
- 34 optimized programs engineered to provide consistent results quickly and easily
- Advance® container creates faster, smoother pouring and has a longer blade life resulting in time and cost savings along with improved customer experience



Creamy, blended coffee drinks

Product Specifications

Blending Station® Advance®

On-Counter: Item No. 50029 / In-Counter: Item No. 51022

Motor: ≈3 peak output horsepower motor
 Electrical: 220 – 240 V, 50/60 Hz, 1300 – 1550 W
 Pack: Includes Blending Station Advance with 1,4 L high-impact, clear/stackable Advance® container, complete with Advance blade assembly and lid, and removable compact cover.*

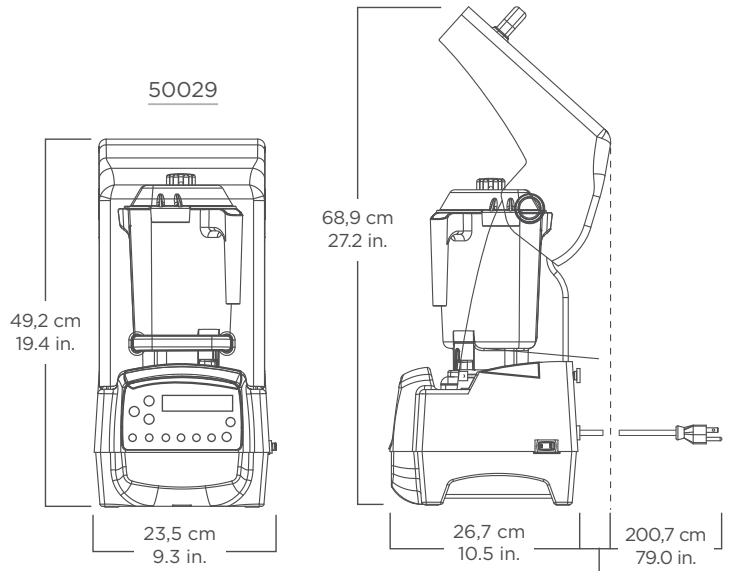
Net Weight: 7,7 kg (8,6 kg with box)

Dimensions:

On-Counter: 49,2 x 23,5 x 26,7 cm (H x W x D)
 Height with lid open: 68,9 cm
 In-Counter: 38,1 x 22,9 x 26,7 cm (H x W x D)
 Height with lid open: 57,2 cm
 Depth below counter: 14,4 cm

Warranty: Please contact your authorized Vitamix distributor for warranty information.

* Standard 2,0 L container cannot be used with the compact cover.



Also Available

Blending Station Advance On-Counter with Advance container

Item No. 36208: 120 V (EMC), 50/60 Hz, 15,0 A

Item No. 52004: 100 V, 50/60 Hz, 1500 W

Blending Station Advance In-Counter with Advance container

Item No. 53004: 100 V (EMC), 50/60 Hz, 1500 W

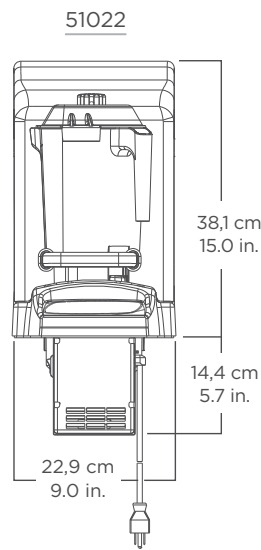
Additional containers, complete with blade assembly and lid.

Item No. 15978: Advance container 1,4 L

Item No. 15506: standard container 1,4 L

Item No. 15640: compact container 0,9 L

For more information, please contact an authorized Vitamix distributor, or Vitamix international customer service.



Where applicable:



Contact Information

U.S.A., Canada & Latin America:

Tel: 800.4DRINK4 or
440.235.0214

E-mail: foodservice@vitamix.com

www.vitamix.com/foodservice

Vita-Mix Corporation
8615 Usher Road
Cleveland, OH 44138-2103 U.S.A.

Outside of U.S.A., Canada & Latin America:

Tel: +1.440.782.2450

E-mail: international@vitamix.com

For more information, contact your local foodservice distributor.