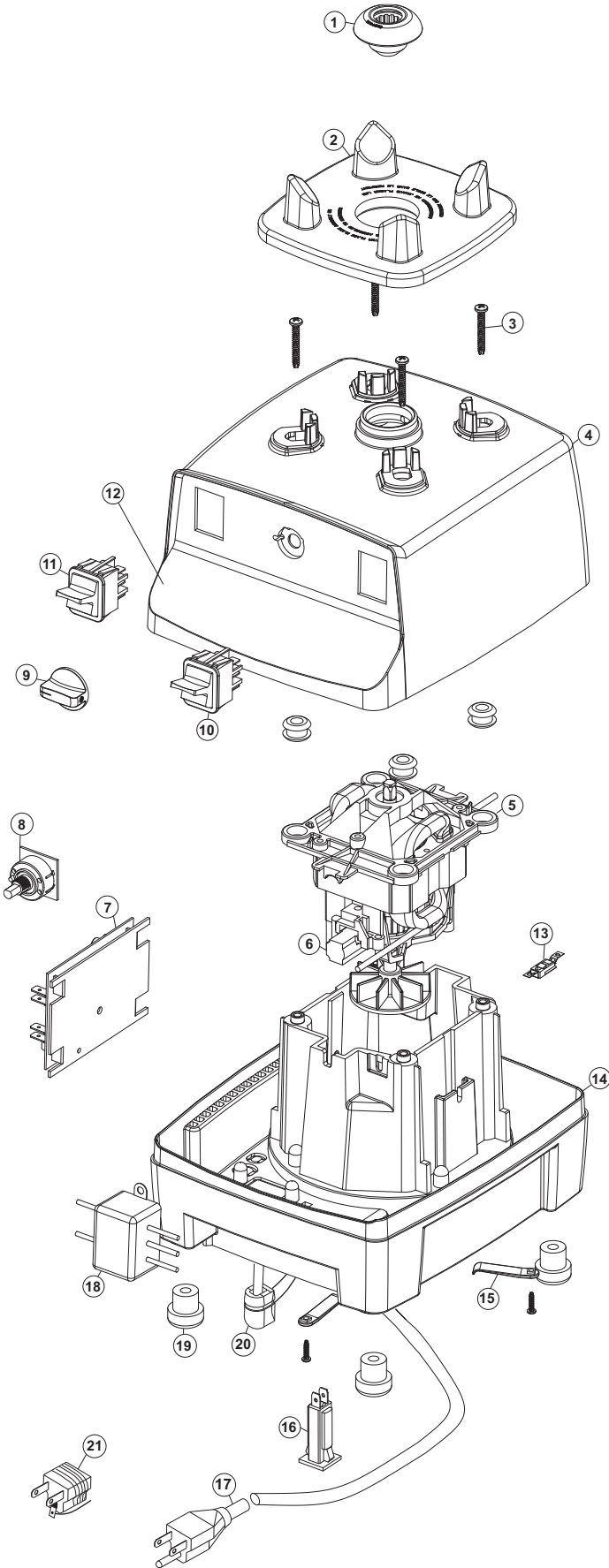


Drink Machine Two-Step Timer



Drink Machine Two-Step Timer Parts List – 100V (Japan), 120V, 120V (Taiwan), 120V EMC (Taiwan), 220/240V

NO.	NEW PART NO.	OLD PART NO.	DESCRIPTION	VOLTAGE	QTY./PACK
1	891	891	Drive Socket Assembly	All	1
1	15546	15546	Drive Socket Assembly (Set of 2)	All	2
1	15547	15547	Drive Socket Assembly (Set of 5)	All	5
2	791	791	Centering Pad	All	1
3	15726	FST102	Upper Shell Retainer Screws (4)	All	4
4	15757	PLS107	Upper Base Shell - Grey	All	1
4	15728	PLS111	Upper Base Shell - Black	All	1
5	15675	ASY144	Motor Assembly *	220/240V	1
5	15673	ASY153	Motor Assembly	220/240V	1
5	15669	ASY132	Motor Assembly	100/120/120V EMC	1
6	764	764	Brush Replacement Kit	All	2
7	15765	CTL150	Two-Step Timer Board	220/240V	1
7	15766	CTL139	Two-Step Timer Board	120V	1
7	15767	CTL140	Two-Step Timer Board	100V	1
7	15768	CTL149	Two-Step Timer Board	120V EMC	1
8	15769	CTL122	Two-Step Time Rotary Switch	All	1
9	15732	PLS207	Control Knob	All	1
10	15758	CTL104	On/Off Switch	All	1
11	15755	CTL159	Lighted Momentary Switch	220/240V	1
11	15754	CTL126	Lighted Momentary Switch	100/120/120V EMC	1
12	LBL187	LBL187	Two-Step Label	All	1
13	824	824	Thermal Protector Kit	100/120/120V EMC	1
NOT SHOWN	15515	15515	Thermal Switch Assembly Kit*	220/240V	1
14	15760	ASY101	Base Frame Assembly	All	1
15	793	793	Cord Retainer Clip & Screw	All	4
16	15735	CTL151	Circuit Breaker	220/240V	1
16	15761	CTL112	Circuit Breaker*	220/240V	1
17	By Country	By Country	Power Cord	220/240V	1
17	15756	WIR100	Power Cord	120V	1
17	15737	PLG117	Power Cord	100V	1
17	15738	PLG133	Power Cord	120V EMC	1
18	15739	CTL509	EMI Filter	220/240V	1
18	15740	CTL131	EMI Filter	100V	1
18	15741	CTL515	EMI Filter	120V EMC	1
19	794	794	Rubber Feet (4)	All	4
20	15742	FST815	Power Cord Strain Relief	220/240V	1
20	15743	CON800	Power Cord Strain Relief	100/120/120V EMC	1
21	15745	CTL125	Japanese Adapter	100V	1
NOT SHOWN	15748	n/a	Base Frame Channel (3)	All	3

*Machines before Serial No. 000768A059210356