



# The Quiet One<sup>®</sup> 220V-240V On-Counter

#050031

## Diagrams and Parts List

For ordering and additional information contact:

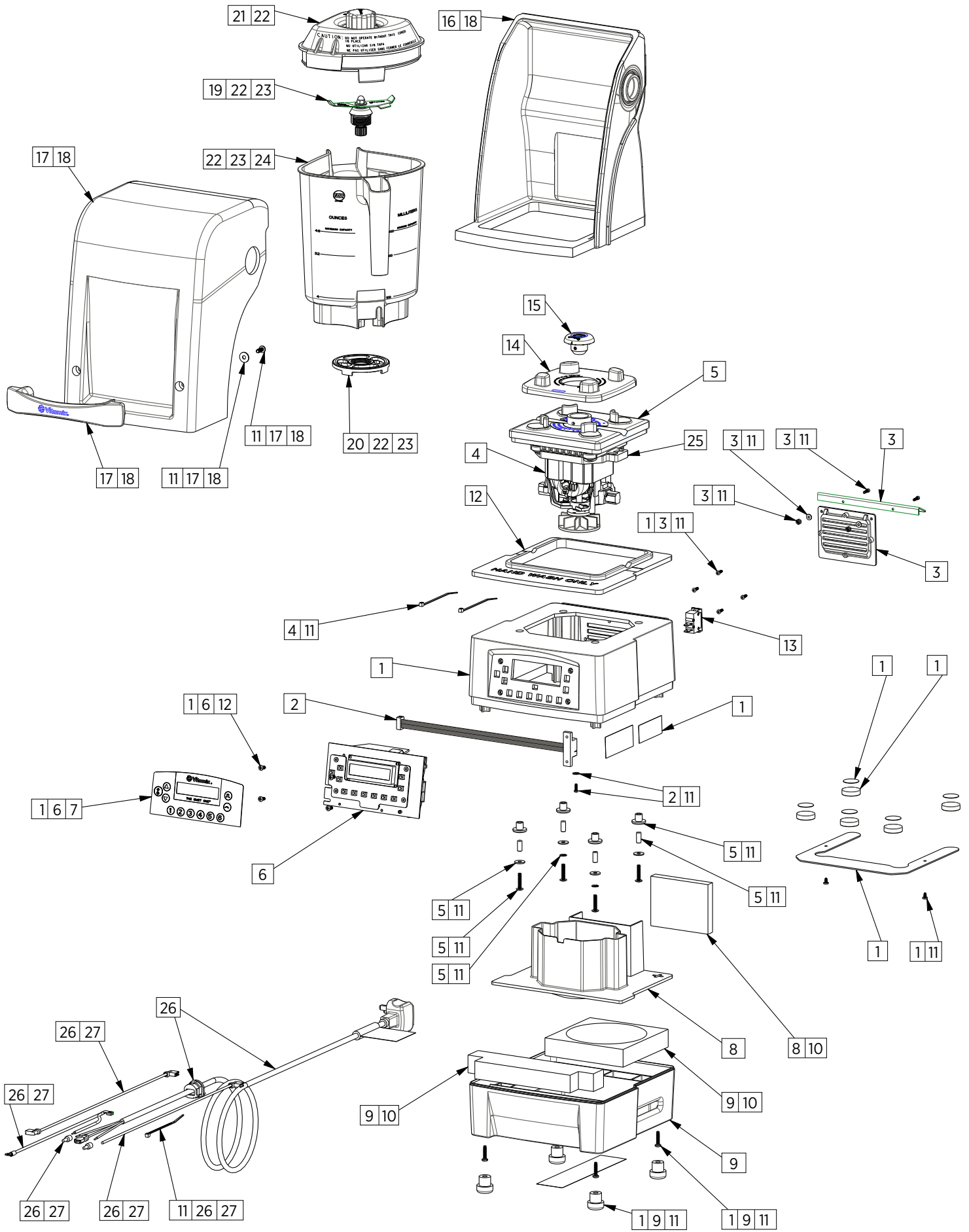
---

**Vita-Mix<sup>®</sup> Corporation**  
**Commercial Division**

8615 Usher Road, Cleveland, Ohio 44138 U.S.A.  
Tel: 440.235.0214 Email: [commercial@vitamix.com](mailto:commercial@vitamix.com)

©2011 Vita-Mix Corporation. No part of this publication may be reproduced or transmitted in any form or by any means or stored in a database or retrieval system without the written permission of the Vita-Mix Corporation.

Printed in the U.S.A. 07/11



Kit Item Ref. #	Kit #	Kit Name	Qty./ Kit	Part Name (Description)
1	015310	TQO Upper Housing Assembly International (With Magnets and Retention Plate)	1	TQO Universal Upper Housing
			5	Magnet, 1" Dia X 1/4" Thick
			5	Tape-2 Sided-7/8 Diameter
			1	Magnet Retention Plate
			2	Screw, #6-19 X 1/4" Lg.
			1	Shock Hazard Warning Label
			1	TQO Universal Overlay/International
			1	Purchase/Cleaning Instructions/3M 94 Primer
			4	Screw/#6-32 X 3/8 Lock Patch/Ph
			4	Screw, #8-18 X 3/4" Lg.
			4	Foot
			4	Screw, #4 Plastite X 3/8 Lg.
			1	Hole Plug, Heyco (Used With In-Counter Units Only)
2	015370	Memory Cable	1	Memory Cable
			1	Screw, #4 Plastite X 3/8 Lg.
			1	External Tooth Lock Washer
3	015286	Grill & Shield Assembly	1	TQO Back Grill
			2	#4-40 Locknut/Hex/
			1	H2o Shield
			2	Screw, #4-40 X 3/8" Lg.
			2	Washer #4
			4	Screw, #4 Plastite X 3/8 Lg.
4	015311	TQO 220V-240V Motor Assembly	1	Motor Assy/3Hp/220V - 240V/Quiet BLS
			1	Magnet Ring
			1	2.25" Cooling Fan
			1	Jumper Wire / Green / BLS
			1	Screw #8-32X3/8 Lg Hex Hd/Ground/Green
			1	BLS On/Motor Gasket/Molded
			1	Thermal Sensor
			1	Insulator Tape 1" 240V P248 12085 Ha (Tan)
			1	Insulator Tape-Teflon #T3505s38
			1	Gray Jumper/Brush To Power Switch
			1	Purple Jumper/Brush To Thermal Protect
			1	Thermal Protector
			2	Wire Tie/Stanyl
			1	Hall Effect Sensor
			1	Hall Effect Clip
2	4" Cable Tie #T18r9m4			
1	Screw/#10-24 Type Tx3/8 Hex Hd/Slotted/ Zinc/Tc			
4	Screw #10-24X1/2 Lg/Ss/Pan Hd Phil			
5	015288	Casting Assembly	1	TQO Universal Top Motor Casting
			1	Donut Warning Sticker
			1	TQO Universal Top Motor Plate Gasket
			1	TQO Motor Donut Gasket
			4	#8-32 X 7/8 Screw

Kit Item Ref. #	Kit #	Kit Name	Qty./ Kit	Part Name (Description)
5	015288	Casting Assembly	4	Washer
			2	External Tooth Lock Washer
			4	Motor Mount Grommet
			4	Spacer
6	015312	TQO 220V-240V Display Board	1	TQO Display/Emi Filter/220V-240V
			1	TQO Universal Overlay/ International
			4	Screw/#6-32 X 3/8 Lock Patch/Ph
			1	Purchase/Cleaning Instructions/3M 94 Primer
7	015411	TQO Universal Overlay / International	5	TQO Universal Overlay/ International
			1	Purchase/Cleaning Instructions/3M 94 Primer
8	015291	Motor Shroud Assembly	1	Intake Air Foam
			1	Motor Shroud
9	015292	TQO Lower Housing Assembly	1	Lower Housing Belly Foam
			1	Base Housing Foam
			1	TQO Universal Lower Housing
			4	Screw, #8-18 X 3/4" Lg.
			4	Foot
10	015293	Quiet Foam Kit	1	Intake Air Foam
			1	Lower Housing Belly Foam
			1	Base Housing Foam
11	015294	TQO Universal Hardware Kit	2	Screw, #6-19 X 1/4" Lg.
			2	#4-40 Locknut/Hex/
			2	Screw, #4-40 X 3/8" Lg.
			2	Washer - #4
			5	Screw, #4 Plastite X 3/8 Lg.
			1	External Tooth Lock Washer
			4	#8-32 X 7/8 Screw
			6	Washer
			4	Motor Mount Grommet
			4	Spacer/SR BLSA
			4	Screw/#6-32 X 3/8 Lock Patch/Ph
			3	4" Cable Tie
			4	Screw, #8-18 X 3/4" Lg.
			4	Foot
2	Screw, #10-24 X 1/2" Lg.			
1	Hole Plug, Heyco (Used With In-Counter Units Only)			
12	015107	Quiet BLS Isolation Gasket Kit	1	Isolation Gasket
13	015296	On/Off Circuit Breaker Switch	1	Circuit Breaker Switch
14	015579	Centering Pad	1	Centering Pad
			1	Centering Pad Installation Instructions
15	000891	Drive Socket Kit	1	Drive Socket Assembly
			1	Allen Wrench 5/64" Long Arm (P/N 51-005)
			1	Drive Socket Replacement Instructions
16	015082	TQO Back Cover Only	1	TQO Universal Back Cover-Drs

Kit Item Ref. #	Kit #	Kit Name	Qty./ Kit	Part Name (Description)	
17	015081	TQO Door Only (w/Handle)	1	TQO Door	
			1	Handle/Top Cover	
			2	Screw, #10-24 X 1/2" Lg.	
			2	Washer	
18	015080	TQO Sound Enclosure Assembly Complete	1	TQO Universal Back Cover-Drs	
			1	TQO Door	
			1	Handle/Top Cover	
			2	Screw, #10-24 X 1/2" Lg.	
19	015990	Advance Blade Assembly	1	Advance Blade Assembly	
			1	Blade Removal & Replace Sheet	
20	015585	Light Weight Retainer Nut	1	Retainer Nut Assy / Light Weight / Teflon	
21	015985	Advance Container Lid & Plug Assembly	1	Advance Lid & Plug Assy/Pc	
22	015978	Advance Container: (48oz /1.4L Adv with Blade, Lid & Plug)	1	Advanced Container/Pc/48Oz	
			1	Adv Blade Assy / Grease	
			1	Retainer Nut Assy / Light Weight / Teflon	
			1	Advance Lid & Plug Assy/Pc	
23	015979	Advance Container: (48oz /1.4L Adv with Blade, No Lid)	1	Advanced Container/Pc/48Oz	
			1	Adv Blade Assy / Grease	
			1	Retainer Nut Assy / Light Weight / Teflon	
24	015980	Advance Container: (48oz /1.4L Adv Container Only)	1	Advanced Container/Pc/48Oz	
25	015778	BLS On/Motor Gasket/Molded	1	BLS On/Motor Gasket/Molded	
26	015326	TQO 220V-240V On-Counter International Power Cord Kits	1	British Cord	
	015327			Israeli Cord	
	015328			Australian Cord	
	015329			South African Cord	
	015330			Denmark Cord	
	015331			Swiss Cord	
	015332			Shucko Cord	
	015333			Italian Cord	
	015334			Argentina Cord	
	015335			Chinese Power Cord	
	015336			Brazilian Power Cord / Type B	
	015337			Brazilian Power Cord / Type J	
	015372			Korean Cord	
				1	Wire/Ground Duplex Jumper/18Awg X 10"Lg
				2	Wire/Cb Jump/Black/15"
			2	FI/Crimp Connector/18X3	
	1	4" Cable Tie			
	1	Strain Relief/Universal/White			
27	015338	TQO On-Counter Philippine Power Cord Assy	1	Philippine Cord	
			1	Wire/Ground Duplex Jumper/18Awg X 10"Lg	

Kit Item Ref. #	Kit #	Kit Name	Qty./ Kit	Part Name (Description)
27	015338	TQO On-Counter Philippine Power Cord Assy	2	Wire/Cb Jump/Black/15"
			2	FI/Crimp Connector/18X3
			1	4" Cable Tie
			1	Strain Relief/Black
28	015403	Box Kit TQO On/In Counter - Individual  (Not for Starbucks EB blender)	1	Quiet Bls Box Inner
			1	Packaging Wedge
			1	TQO Insert Corrugated
			2	Insert W/Film
			2	Sorbothane Protector/10"X12" 4Mil Bag
29	015404	Box Kit TQO On/In Counter - Bulk Pack  (Not for Starbucks EB blender)	25	Quiet Bls Box Inner
			25	Packaging Wedge
			25	TQO Insert Corrugated
			50	Insert W/Film
			50	Sorbothane Protector/10"X12" 4Mil Bag
30	015406	TQO Universal Packaging Kit/Complete  (Not for Starbucks EB blender)	1	Tqo Box/Outer
			2	Quiet Bls Box Inner
			1	Packaging Wedge
			1	Tqo Insert Corrugated
			2	Container Packaging Foam
			4	Insert W/Film
			2	Sorbothane Protector/10"X12" 4Mil Bag