

# Explorian

VM0197

CERTIFIED RECONDITIONED

## HIGH-PERFORMANCE BLENDER



### SYMBOLS

	Warning and Caution
	NEVER touch moving parts. Keep hands and utensils out of the container
	Electric Shock Hazard
	High temperature when blending hot liquids
	Unplug while not in use, before cleaning, changing accessories or touching parts that move while the blender is in use
	Operate with the lid and lid plug in place
	Read and understand owner's manual
	DO NOT immerse
	Parts will become hot with extended use. DO NOT touch the drive socket in the blender base or the drive spline in the blade base
	DO NOT use your 20 ounce (0.6 L) cup to heat ingredients or to blend hot liquids.
	DO NOT use the cups (including the blade base or lids) in the microwave.
	On/Off
	Pulse

### SPECIFICATIONS

Voltage:	120 V	Height (with 64 oz. container on base): 17 inches
Frequency:	50 - 60 Hz	Width: 8 inches
Amps:	12 Amps	Depth: 11 inches



Begin Your Adventure

[vitamix.com](http://vitamix.com)

## IMPORTANT SAFEGUARDS



**WARNING:** To avoid the risk of serious injury when using your Vitamix® blender, basic safety precautions should be followed, including the following. **READ ALL INSTRUCTIONS, SAFEGUARDS, AND WARNINGS BEFORE OPERATING BLENDER.**

1. Read all instructions.
2. Do not use blender for other than intended use.
3. Not intended for use by or near children or persons with reduced physical, sensory, or mental capabilities or lack of experience and knowledge. Close supervision is necessary when any blender is used by or near children or incapacitated persons. Children should be supervised to ensure that they do not play with the blender.
4. **WARNING:** To avoid inadvertent activation, turn off and unplug before cleaning.
5. **CAUTION:** In order to avoid a hazard due to inadvertent resetting of the thermal cut-out, power to this blender must not be supplied through an external switching device, such as a timer, or connected to a circuit that is regularly switched on and off by the utility.
6. To protect against risk of electrical shock, do not put the blender base in water or other liquid.
7. Unplug from outlet when not in use, before putting on or taking off parts, and before cleaning.
8. Always check that the blender is OFF before plugging cord into wall outlet. To disconnect, turn OFF the blender, then remove plug from wall outlet.
9. Avoid contacting moving parts.
10. Do not operate any blender with a damaged cord or plug or after the blender malfunctions, or is dropped or damaged in any manner. Call Vitamix Customer Service at 1.800.848.2649 or 1.440.235.4840 or email [service@vitamix.com](mailto:service@vitamix.com) at once for examination, repair, replacement, or adjustment. If purchased outside the U.S.A. or Canada, contact your local Vitamix dealer.
11. GFI circuit breakers might be installed in your kitchen. Look for them in outlets near sinks. If the blender won't operate, unplug the blender. Reset the wall outlet or circuit breaker. If the circuit breaker continues to trip, unplug the blender from the outlet. Allow the blender to sit for 24 hours before attempting to use it again. Contact Vitamix Customer Service if the problem persists.
12. Alteration or modification of any part of the blender, including the use of any part or parts that are not genuine authorized Vitamix parts, may cause fire, electric shock, or injury and will void your warranty.
13. The use of attachments not expressly authorized or sold by Vitamix for use with this blender, including canning jars, may cause fire, electric shock, or injury. Use in this way will void your warranty.
14. Do not use outdoors.
15. Do not let cord hang over edge of table or counter.
16. Do not place on or near a hot gas or electric burner, in or on a heated oven.

17. Keep hands and utensils out of container while blending to reduce the risk of severe injury to persons or damage to the blender. A rubber scraper or spatula may be used, but only when the blender is not running.
18. The tamper provided must be used only when the main part of the lid is in place.
19. Blades are sharp. Clean around the blade assembly in the container with extreme care to avoid injury.
20. To reduce the risk of injury, never place a blade assembly on the motor base unless assembled to the Vitamix container.
21. Care should be taken when handling the sharp cutting blades, emptying the container and during cleaning.
22. Do not leave foreign objects, such as spoons, forks, knives or the lid plug, in the container as this will damage the blades and other components when starting the blender and may cause injury.
23. Never attempt to operate with damaged blades.
24. Never attempt to operate with the centering pad removed.
25. Always operate blender with lid and lid plug firmly in place. DO NOT remove 2-part lid while blades are rotating. Only remove the lid plug to add ingredients and to use the tamper.
26. When blending hot liquids or ingredients in the 64 oz. container, use caution; spray or escaping steam may cause burns. Do not fill container to the maximum capacity. Always begin processing on the lowest speed setting, variable speed 1. Keep hands and other exposed skin away from lid opening to prevent possible burns.
27. DO NOT use your 20 ounce cup to heat ingredients or to blend hot liquids. Heated ingredients and liquids may create internal pressure which could cause the cup to burst and cause injury.
28. DO NOT continuously use your machine for more than 75 seconds with the 20 ounce cup.
29. If a cup becomes warm to the touch or steams or vents, immediately stop blending ingredients and turn off or unplug blender. Allow the cup and ingredients to cool to room temperature before removing the blade base.
30. When making nut butters or oil-based foods, do not process for more than one minute after the mixture starts to circulate in the container. Processing for longer periods can cause overheating.
31. Make sure that the container or cup and personal cup adapter are flush with the centering pad to ensure that the drive spline is engaged with the drive socket before operating.
32. Make sure to use the seal on the blade base and tighten the cup adequately to the blade base before blending.
33. Never place the personal cup adapter onto the blade base without the cup attached.

## SAVE THESE INSTRUCTIONS

### WARNING



#### To Avoid Injury.

Read and understand instruction manual before using this machine.



## IMPORTANT INSTRUCTIONS FOR SAFE USE

This product is intended for HOUSEHOLD USE ONLY and is not intended to be used for commercial purposes.

Do not leave your Vitamix blender unattended when operating.

Any repair, servicing, or replacement of parts must be performed by Vitamix or a Vitamix authorized service representative.

**NOTICE:** THE FAILURE TO FOLLOW ANY OF THE IMPORTANT SAFEGUARDS AND IMPORTANT INSTRUCTIONS FOR SAFE USE IS A MISUSE OF YOUR VITAMIX BLENDER THAT CAN VOID YOUR WARRANTY AND CREATE THE RISK OF SERIOUS INJURY.

### ⚠ WARNING



Use grounded outlet only.

**DO NOT** remove ground.

**DO NOT** use an adapter.

**DO NOT** use an extension cord.

Always unplug before cleaning the motor base or when not in use.

Do not put the motor base in water or other liquid.

**Failure to follow instructions can cause death or electrical shock.**



## PARTS AND FEATURES

**Legacy Vitamix Containers** - Legacy (C Series and G Series) containers will work with your Explorian blender base. A 20 ounce cup can be used when paired with the Vitamix Personal Cup Adapter. Vitamix Self-Detect containers will not work with the Explorian Blender. Visit [vitamix.com](http://vitamix.com) for details.

### Lid, Lid Plug and Tamper

- Always use the lid and the lid plug when operating the blender.
- Never operate the blender without checking to make sure that the lid is securely locked in place.
- The lid plug is marked so it can be used as a measuring cup.
- Insert the lid plug through the lid plug opening. Lock the plug in place by turning clockwise. To remove, turn counter-clockwise and lift out.
- Remove the lid plug to use the tamper or to add ingredients.

**Motor** - The motor is designed to protect itself from overheating. If the blender will not start immediately check to make sure you have plugged the unit in and the On/Off switch is On. If the motor has overheated, allow the motor to cool for 20-45 minutes.

### Tips to prevent 'overloading' your blender:

- Process only Vitamix recipes when learning to use the blender.
- Do not process recipes at lower or higher speeds than recommended.
- Do not process recipes for longer than recommended.
- Use your tamper to process thicker mixtures and keep ingredients moving around and through the blades.



# IMPORTANT! KNOW YOUR VITAMIX CONTAINER, LID AND TAMPER

## CAUTION



### Rotating Blades Can Cause Damage.

Lids and tampers are not interchangeable between different container styles, types and sizes. Use the tamper that was supplied with your blender.

**Note:** Vitamix Self-Detect containers will not work with the Explorian Blender.

Lids and tampers are not interchangeable between different container styles, types and sizes. Use the tamper and lid that was supplied with your blender.

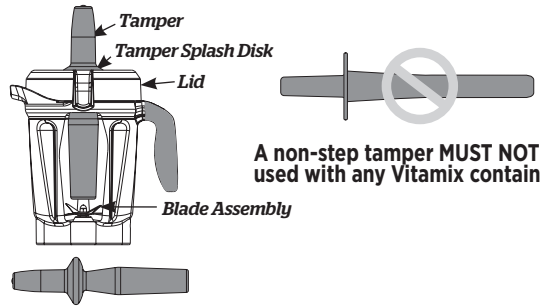
### How to Determine the Tamper to be Used with Your Container

Before using a tamper during the blending, verify that you have the correct tamper. Only use the tamper with the lid securely locked in place and the lid plug removed. **If a tamper came with your blender at purchase, it is the correct tamper to use.** If a tamper did not come with your blender or you want to determine if a tamper that you already have can be used with your new container, please use these steps and illustrations to determine what tamper to use.

1. Place the lid on an empty container.
2. Remove the lid plug and insert the tamper through the lid plug opening. The tamper should fit easily into the opening. It should not come into contact with the blades no matter where you move the tamper inside the container.
3. Visually inspect: **IF THE TAMPER TOUCHES THE BLADES AT ANY ANGLE, DO NOT USE THE TAMPER WITH YOUR CONTAINER.**
4. If you do not have the correct tamper for your container, contact Vitamix Household Customer Service at 1.800.848.2649 or 1.440.235.4840.

64 oz. / 2,0 L (SHORT)

The 64 oz. / 2 L **Short** (or Low Profile) Container uses a tamper which is approximately 11 inches long.

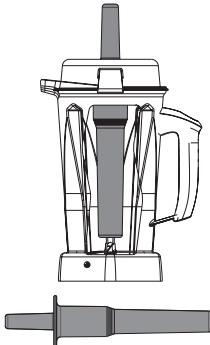


**A non-step tamper MUST NOT be used with any Vitamix container.**

## OTHER VITAMIX CONTAINERS AND TAMPERS

64 oz. / 2,0 L (TALL)

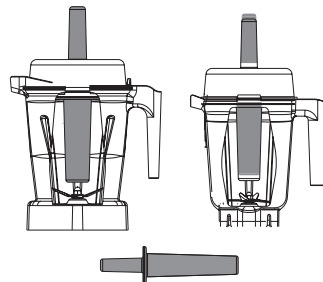
The 64 oz. / 2 L **Tall** Container uses a tamper which is approximately 12- $\frac{1}{2}$  in. long.



48 oz. / 1,4 L

32 oz. / 0,9 L

The 48 oz. (1.4 L) and 32 oz. (0.9 L) Containers use a tamper which is approximately 9- $\frac{3}{4}$  in. long.



# CONTROL PANEL

**On /Off (I/O) Switch** - The On/Off switch controls power to the machine.

**Variable Speed Dial** - The Variable Speed Dial gives you manual control from Variable 1 (slowest) to 10 (highest).

**Pulse** (⏏) - The blades will rotate at the speed displayed on the control panel when pressed.



# BLENDING

**Note:** The 20 ounce cup mentioned here are optional accessories of the Explorian Blenders when used with a Vitamix Personal Cup Adapter. Please visit [vitamix.com](http://vitamix.com) for more information. Refer to the Personal Cup Adapter Owner's Manual for usage details.

## ⚠ WARNING



**To Avoid Possible Burns, Never Start on Speeds Above 1 when Processing Hot Liquids in a Large Container.**

Escaping steam, splashes or contents may burn. Always start on Variable 1, then slowly increase to 10.



**DO NOT use your 20 ounce cup to heat ingredients or to blend hot liquids. Heated ingredients and liquids may create internal pressure which could cause the cup to burst and cause injury.**

**DO NOT continuously use your machine for more than 2 minutes with the 20 ounce cup and Personal Cup Adapter.**



**If a cup becomes warm to the touch or steams or vents, immediately stop blending ingredients and turn off or unplug blender. Allow the cup and ingredients to cool to room temperature before removing the blade base.**



Parts will become hot with extended use.

**DO NOT touch the drive socket in the blender base or the drive spline in the Personal Cup Adapter.**

To avoid damage or personal injury, **DO NOT use the cups (including the blade base or lids) in the microwave.**



1. Load your container according to your recipe or the load order in the illustration here.

**IMPORTANT! Always use the lid and the lid plug on the Large Container when the machine is in operation. Never operate the blender without checking to make sure that the lid and lid plug are securely locked in place.**

2. Push the lid down into place until the two tabs snap onto the lip of the container. Insert the lid plug. Turn the lid plug clockwise to lock.
3. Put the container onto the base.
4. Look at the variable speed dial. Make sure it is pointing to Variable speed 1. Press On/Off to start the machine. The blades will begin to turn.
5. Rotate the Variable Speed Dial between 1 and 10 during the blending cycle to increase or decrease the speed of the blades.
6. At the end of the blend, rotate the Variable Speed Dial counter-clockwise to Variable Speed 1. Press On/Off.

*Ice & Frozen*

*Ingredients*

*Fruits & Veggies*

*Leafy Greens*

*Dry Goods*

*Liquids*



7. If the mixture stops circulating, insert the tamper through the lid plug and stir until it 'burps'. If this does not work, press the On/Off switch to stop the motor. Remove the container from the blender base and use a rubber spatula to press the air bubble away from the blades. Add liquid if necessary. Replace the lid and lid plug. Return the container to the blender base and continue blending.
8. After blending, wait until the blades completely stop before removing the lid or container from the blender base.

#### **Tips to prevent 'overloading' your blender:**

- Process only Vitamix recipes when learning to use the blender.
- Do not process recipes at lower or higher speeds than recommended.
- Do not process recipes for longer than recommended.
- Use your tamper to process thicker mixtures and keep ingredients moving around and through the blades.

#### **How to use the Tamper:**

**IMPORTANT! The splash disk (near the top of the tamper) and lid prevent the tamper from hitting the blades when the lid is secured properly in the locked position.**

- The container should not be more than two-thirds full when the tamper is used during blending.
- To avoid overheating during blending, DO NOT use the tamper for more than 30 consecutive seconds.
- If the food does not circulate, the blender may have trapped an air bubble. Carefully remove the lid plug, while making sure the lid stays firmly in place. Release the air bubble by inserting the tamper through the lid plug opening.
- Holding the tamper straight down may not help the ingredients circulate. If necessary, point the tamper towards the sides or corners of the container. DO NOT try to force the tamper deeper into the container.

## CARE AND CLEANING

#### ***BEFORE FIRST USE:***

1. Wipe the base with a warm damp cloth and wipe clean with a dry, soft cloth. Wash the container, lid, lid plug, and tamper with warm, soapy water. Rinse all parts. Wipe dry with a dry, soft cloth.
2. Choose a space on the counter that is level, dry and clean. Plug the blender into a grounded, 3-prong outlet.

**Note:** Your Vitamix container is designed to be completely cleanable without removing the retainer nut and blade assembly. DO NOT attempt to remove the retainer nut or blade assembly from the container. Our Normal Cleaning and Sanitizing procedures or a dishwasher cleaning cycle will ensure a complete and thorough cleaning of your container and it's components. If your container is damaged, please do not use. Contact Vitamix Customer Service IMMEDIATELY for assistance.

***Follow these instructions if you prefer not to wash your container in the dishwasher.***

#### ***To Clean the LP64 Container:***

1. Fill the container half full with warm water and add a couple of drops of dishwashing liquid.
2. Snap or push the complete 2-Part lid into the locked position.
3. Press Start / Stop. Slowly increase variable speed to 10.
4. Run the machine for 30 to 60 seconds.
5. Rotate the Variable Speed dial back to Variable 1. Press Start/Stop.
6. Rinse and drain all pieces.

#### ***To Sanitize the 64LP Container using Bleach:***

1. Follow the cleaning instructions above.
2. Fill the container half full with water and 1½ teaspoons of liquid bleach.
3. Snap or push the complete 2-part lid into the locked position.
4. Rotate the dial clockwise to Variable Speed 1.
5. Press Start / Stop. Slowly increase variable speed to 10.
6. Run the machine for 30 to 60 seconds.
7. Rotate the Variable Speed dial back to Variable 1. Press Start/Stop.
8. Allow mixture to stand in the container for an additional 1½ minutes.
9. Pour bleach mixture out. Allow container to air dry. Do not rinse after sanitizing.

### **To Sanitize the 64LP Container using Vinegar:**

1. Follow the cleaning instructions above.
2. Prepare the vinegar solution: for the 64oz container, dilute 16oz. (473 ml) of vinegar in 16oz (473ml) water.
3. Snap or push the complete 2-part lid into the locked position.
4. Begin with Variable Speed 1 on the display. Press Start/Stop.
5. Slowly increase variable speed to 10.
6. Run the machine on variable speed 10 for 2 full minutes.
7. Rotate the Variable Speed dial back to Variable Speed 1. Press Start/Stop.
8. Allow mixture to stand in the container for an additional 3 full minutes. Total contact time of the vinegar solution in the container should equal 5 minutes.
9. Pour vinegar solution out of container over inside surface of 2-part lid. Repeat sanitization procedure a second time (steps 2-9).
10. Allow container and lid to air dry. Do not rinse after sanitizing. If necessary, rinse immediately before next use.
11. Pour bleach mixture out. Allow container to air dry. Do not rinse after sanitizing.

### **Lids, Lid Plug, Centering Pad and Tamper**

All parts listed above are dishwasher safe. If preferred, wash the parts in warm soapy water. Rinse clean under running water, then dry.

### **Blender Base**

1. Turn off and unplug the blender.

#### **⚠ WARNING**



#### **To Avoid Injury and Damage.**

To avoid inadvertent activation, turn off and unplug the blender before cleaning.

#### **⚠ WARNING**



#### **Electrical Shock Hazard.**

Always unplug before cleaning the blender base or when not in use.

Do not put the blender base in water or other liquid.

Failure to follow instructions can cause death or electrical shock.



2. Wash the outside surface with a damp, soft cloth or sponge that has been rinsed in a mild solution of liquid dish soap and warm water. Do not place the blender base in water. The centering pad can be removed for more thorough cleaning. The centering pad is dishwasher safe.
3. Immediately dry all surfaces and polish with a soft cloth.





**3-YEAR LIMITED WARRANTY**  
[www.vitamix.com/3yearlimited](http://www.vitamix.com/3yearlimited)

# Explorian

CERTIFIÉE RECONDITIONNÉE

## MÉLANGEUR À HAUTE PERFORMANCE

VM0197



### SYMBOLES

	Avertissement et mise en garde.
	NE JAMAIS toucher les pièces en mouvement. Garder les mains et les ustensiles hors du récipient.
	Risque de décharge électrique.
	Température élevée lors du mélange de liquides chauds
	Débrancher l'appareil lorsqu'il n'est pas utilisé, avant le nettoyage, avant de changer des accessoires ou avant de toucher des pièces qui se mettent en mouvement lorsque le mélangeur fonctionne.
	Utiliser l'appareil lorsque le couvercle et la prise du couvercle sont en place.
	Lire et bien comprendre le guide d'utilisation.
	NE PAS immerger.
	Les pièces deviennent chaudes après une utilisation prolongée. NE PAS toucher la prise d'entraînement sur le socle du mélangeur ou la cannelure d'entraînement sur la base de la lame.
	NE PAS utiliser la tasse de 0,6 L (20 oz) pour chauffer des ingrédients ou mélanger des liquides chauds.
	N'utilisez PAS les tasses (y compris la base de lames ou les couvercles) dans le micro-ondes.
	Marche/Arrêt
	Pulse

### SPÉCIFICATIONS

Tension :	120 V	Hauteur (avec le récipient de 2 L [64 oz] sur le socle) : 43.2 cm
Fréquence :	50 - 60 Hz	Largeur : 20.3 cm
Intensité électrique :	12 A	Profondeur : 27.9 cm



Partez à l'aventure

Vitamix.com

## MESURES DE SÉCURITÉ IMPORTANTES



**AVERTISSEMENT** : Afin d'éviter les risques de blessures graves lors de l'utilisation de votre mélangeur Vitamix®, adoptez des mesures de sécurité essentielles, notamment celles qui suivent. **LIRE LES DIRECTIVES, LES MESURES DE SÉCURITÉ ET LES AVERTISSEMENTS EN ENTIER AVANT D'UTILISER LE MÉLANGEUR.**

1. Lisez toutes les directives.
2. N'utilisez le mélangeur qu'aux fins auxquelles il est prévu.
3. Cet appareil n'est pas conçu pour être utilisé par des enfants, des personnes dont les capacités physiques, sensorielles ou mentales sont réduites, ou qui n'ont pas suffisamment d'expérience et de connaissances, ni pour être utilisé à proximité de ces personnes. Une surveillance étroite est requise lorsqu'un mélangeur est utilisé par des enfants ou des personnes à capacités réduites, ou à proximité de ceux-ci. Surveillez les enfants afin d'éviter qu'ils jouent avec le mélangeur.
4. **AVERTISSEMENT** : Pour éviter qu'il ne soit activé par inadvertance, éteignez et débranchez le mélangeur avant le nettoyage.
5. **MISE EN GARDE** : Afin d'éviter un risque lié à la réinitialisation par inadvertance du coupe-circuit thermique, l'alimentation de ce mélangeur ne doit pas provenir d'un appareil de connexion externe, comme une minuterie, ou être connectée à un circuit qui est souvent activé et désactivé par le fournisseur.
6. Pour prévenir les risques de décharge électrique, ne placez pas le socle du mélangeur dans l'eau ou tout autre liquide.
7. Débranchez l'appareil lorsqu'il n'est pas utilisé, avant d'installer ou de retirer des pièces, ou avant de le nettoyer.
8. Vérifiez toujours que le mélangeur est éteint avant de brancher le cordon dans la prise murale. Pour le débrancher, éteignez-le avant de retirer la fiche de la prise murale.
9. Évitez tout contact avec les pièces en mouvement.
10. N'utilisez jamais un mélangeur dont le cordon ou la fiche sont endommagés, ni un appareil qui ne fonctionne pas correctement, qui est tombé ou qui est endommagé de quelque façon que ce soit. Appelez le service à la clientèle Vitamix au 1 800 848-2649 ou au 1 440 235-4840, ou envoyez un courriel à [service@vitamix.com](mailto:service@vitamix.com) pour un examen, une réparation, un remplacement ou un ajustement. Si l'appareil a été acheté à l'extérieur des États-Unis ou du Canada, communiquez avec votre détaillant local Vitamix.
11. Votre cuisine pourrait être équipée de disjoncteurs DDFT. Vous les trouverez dans les prises situées près des éviers. Si le mélangeur ne fonctionne pas, débranchez-le, puis réarmez la prise murale ou le disjoncteur. Si le disjoncteur continue de se déclencher, débranchez le mélangeur de la prise. Laissez-le reposer pendant 24 heures avant de le réutiliser. Communiquez avec le service à la clientèle Vitamix si le problème persiste.
12. L'altération ou la modification de toute pièce du mélangeur, y compris l'utilisation de pièces qui ne sont pas des pièces authentiques et autorisées par Vitamix, peuvent provoquer un incendie, une décharge électrique ou des blessures, et ces actions annuleront votre garantie.
13. L'utilisation d'accessoires qui ne sont pas expressément autorisés ou vendus par Vitamix pour être utilisés avec ce mélangeur, y compris les contenants de mise en conserve, peut provoquer un incendie, une décharge électrique ou des blessures. Une telle utilisation annulera votre garantie.
14. N'utilisez pas l'appareil à l'extérieur.
15. Ne laissez pas le cordon pendre de la table ou du comptoir.
16. Ne placez jamais l'appareil sur un brûleur à gaz ou un brûleur électrique chaud, ou à proximité de ceux-ci, ni dans un four en marche ou sur le dessus de celui-ci.

17. Gardez les mains et les ustensiles hors du récipient pendant l'utilisation afin de réduire le risque de blessures corporelles graves ou de dommages au mélangeur. Vous pouvez utiliser un grattoir ou une spatule en caoutchouc, mais uniquement lorsque le mélangeur ne fonctionne pas.
18. Le pilon doit être utilisé uniquement lorsque la partie principale du couvercle est en place.
19. Les lames sont tranchantes. Nettoyez l'assemblage de lames dans le récipient avec précaution pour éviter les blessures.
20. Afin de réduire les risques de blessures, ne placez jamais un assemblage de lames sur le socle-moteur, sauf s'il est fixé au récipient Vitamix.
21. Soyez prudent lorsque vous manipulez les lames tranchantes et que vous videz et nettoyez le récipient.
22. Ne laissez aucun objet extérieur dans le récipient, comme des cuillères, des fourchettes, des couteaux ou la prise du couvercle, car ils pourraient endommager les lames ainsi que d'autres composantes lors du démarrage de l'appareil et provoquer des blessures.
23. N'utilisez jamais l'appareil si les lames sont endommagées.
24. N'utilisez jamais l'appareil si le coussinet de positionnement est retiré.
25. Utilisez l'appareil en vous assurant chaque fois que le couvercle et la prise du couvercle sont bien en place. NE retirez JAMAIS le couvercle à deux pièces lorsque les lames tournent. Retirez uniquement la prise du couvercle pour ajouter des ingrédients et utiliser le pilon.
26. Lorsque vous mélangez des liquides ou des ingrédients chauds dans le récipient de 2 L (64 oz), soyez prudent, car le jet ou la vapeur qui s'échappent peuvent provoquer des blessures. Ne remplissez pas le récipient à sa capacité maximale. Commencez toujours à mélanger au réglage de vitesse le plus bas, soit la vitesse variable 1. Gardez les mains et la peau exposée loin de l'ouverture du couvercle pour éviter les brûlures éventuelles.
27. N'utilisez PAS la tasse de 0,6 L (20 oz) pour chauffer des ingrédients ou mélanger des liquides chauds. Les ingrédients et les liquides chauds peuvent créer une pression interne qui risque de faire éclater la tasse et de provoquer des blessures.
28. N'utilisez PAS votre appareil en continu pendant plus de 75 secondes avec la tasse de 0,6 L (20 oz).
29. Si une tasse devient chaude au toucher, que de la vapeur s'en échappe ou que le contenu tend à sortir, arrêtez immédiatement de mélanger les ingrédients et éteignez ou débranchez le mélangeur. Laissez la tasse et les ingrédients refroidir à la température ambiante avant de retirer la base de lames.
30. Lors de la préparation de beurres de noix ou d'aliments à base d'huile, ne faites pas fonctionner l'appareil plus d'une minute après que le mélange a commencé à circuler dans le récipient. Le fonctionnement de l'appareil pendant de plus longues périodes peut causer une surchauffe.
31. Assurez-vous que le récipient ou la tasse et l'adaptateur de tasse individuelle sont bien alignés avec le coussinet de positionnement, afin que la cannelure d'entraînement soit enclenchée avec la prise d'entraînement avant la mise en marche.
32. Assurez-vous d'utiliser le joint sur la base de lames et de resserrer adéquatement la tasse sur la base de lames avant de mélanger.
33. Ne placez jamais l'adaptateur de tasse individuelle sur la base de lames sans avoir installé la tasse.

## CONSERVEZ CES DIRECTIVES.

<b>⚠ ATTENTION</b>		
	<p><b>Afin d'éviter toute blessure,</b> lisez attentivement le guide d'utilisation avant d'utiliser cet appareil.</p>	

## DIRECTIVES IMPORTANTES POUR UNE UTILISATION SÉCURITAIRE

Ce produit est conçu pour un USAGE DOMESTIQUE SEULEMENT et n'est pas destiné à un usage commercial.

Ne laissez pas votre mélangeur Vitamix sans surveillance lorsqu'il est en marche.

L'entretien, les réparations et le remplacement des pièces doivent être effectués par Vitamix ou par un représentant de service Vitamix autorisé.

**AVIS :** LE NON-RESPECT DE TOUTE MESURE DE SÉCURITÉ OU DIRECTIVE IMPORTANTE VISANT UNE UTILISATION SÉCURITAIRE CONSTITUE UNE UTILISATION INAPPROPRIÉE DE VOTRE MÉLANGEUR VITAMIX, CE QUI EST SUSCEPTIBLE D'ANNULER VOTRE GARANTIE ET DE PROVOQUER DES BLESSURES GRAVES.

### ⚠ ATTENTION



#### Risque de décharge électrique.

Utilisez uniquement une prise avec mise à la terre.

**NE RETIREZ PAS** la mise à la terre.

**N'UTILISEZ AUCUN** adaptateur.

**N'UTILISEZ AUCUNE** rallonge électrique.

Débranchez toujours l'appareil avant de nettoyer le socle-moteur ou lorsqu'il n'est pas en marche.

N'immergez pas le socle-moteur dans l'eau ou dans d'autres liquides.

**Le non-respect de ces directives peut causer la mort ou une décharge électrique.**



## PIÈCES ET CARACTÉRISTIQUES

**Anciens récipients Vitamix** – Les anciens récipients (séries C et G) fonctionnent avec le socle du mélangeur Explorian. Vous pouvez utiliser une tasse de 0,6 L (20 oz) avec l'adaptateur de tasse individuelle Vitamix. Les récipients Self-Detect de Vitamix ne fonctionnent pas avec le mélangeur Explorian. Visitez [vitamix.com](http://vitamix.com) pour de plus amples détails.

#### Couvercle, prise du couvercle et pilon

- Utilisez toujours le couvercle et la prise du couvercle lorsque le mélangeur est en marche.
- N'utilisez jamais le mélangeur sans vérifier que le couvercle est bien verrouillé.
- La prise du couvercle comporte des marques afin de pouvoir servir de tasse à mesurer.
- Insérez la prise du couvercle dans l'ouverture prévue à cet effet. Verrouillez le couvercle en le tournant dans le sens horaire. Pour le retirer, tournez-le dans le sens antihoraire avant de le soulever.
- Retirez la prise du couvercle pour utiliser le pilon ou ajouter des ingrédients.

**Moteur** – Le moteur est conçu pour se protéger de la surchauffe. Si le mélangeur ne fonctionne pas immédiatement, vérifiez qu'il soit bien branché et que l'interrupteur Marche/Arrêt soit réglé à Marche. Si le moteur a surchauffé, laissez-le refroidir pendant 20 à 45 minutes.

#### Conseils pour éviter de surcharger votre mélangeur :

- Préparez uniquement des recettes Vitamix lorsque vous apprenez à vous servir de votre mélangeur.
- Ne mélangez pas de recettes à des vitesses inférieures ou supérieures à celles recommandées.
- Ne mélangez pas de recettes plus longtemps que le temps recommandé.
- Utilisez votre pilon pour préparer des mélanges épais et faire circuler les ingrédients autour des lames.



# IMPORTANT! CONNAISSEZ VOTRE RÉCIPIENT, VOTRE COUVERCLE ET VOTRE PILON VITAMIX

## MISE EN GARDE



### Les lames rotatives peuvent causer des dommages.

Les couvercles et les pilons ne sont pas interchangeables entre les différents styles, types et formats de récipients. Utilisez le pilon qui vous a été fourni avec votre mélangeur.

Remarque : Les récipients Self-Detect de Vitamix ne fonctionnent pas avec le mélangeur Explorian.

Les couvercles et les pilons ne sont pas interchangeables entre les différents styles, types et formats de récipients. Utilisez le pilon et le couvercle fournis avec votre mélangeur.

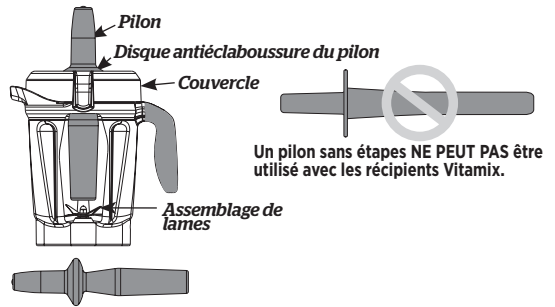
### Comment déterminer quel pilon à utiliser avec votre récipient

Avant d'utiliser un pilon pendant que le mélangeur fonctionne, assurez-vous d'avoir le pilon approprié. Utilisez le pilon uniquement lorsque le couvercle est verrouillé de façon sécuritaire et que la prise du couvercle est retirée. **Si un pilon accompagnait votre mélangeur au moment de l'achat, il s'agit du bon pilon à utiliser.** Si aucun pilon n'accompagnait votre mélangeur ou si vous souhaitez savoir si un pilon que vous possédez déjà peut être utilisé avec votre nouveau récipient, suivez les étapes suivantes ainsi que les illustrations afin de déterminer quel pilon utiliser.

1. Placez le couvercle sur un récipient vide.
2. Retirez la prise du couvercle et insérez le pilon par l'ouverture. Le pilon doit s'insérer facilement dans l'ouverture. Le pilon ne doit pas entrer en contact avec les lames, quel que soit l'endroit où vous le déplacez dans le récipient.
3. Contrôle visuel : **SI LE PILON TOUCHE LES LAMES À PARTIR D'UN QUELCONQUE ANGLE, N'UTILISEZ PAS CE PILON AVEC VOTRE RÉCIPIENT.**
4. Si vous ne possédez pas le pilon approprié pour votre récipient, communiquez avec le service à la clientèle pour usage domestique Vitamix au 1 800 848-2649 ou au 1 440 235-4840.

64 oz. / 2,0 L (SHORT)

Le récipient de 2 L (64 oz) compact (ou à profil bas) fonctionne avec un pilon d'une longueur d'environ 28 cm (11 po).

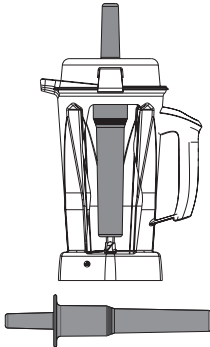


Un pilon sans étapes NE PEUT PAS être utilisé avec les récipients Vitamix.

## AUTRES RÉCIPIENTS ET PILONS VITAMIX

64 oz. / 2,0 L (TALL)

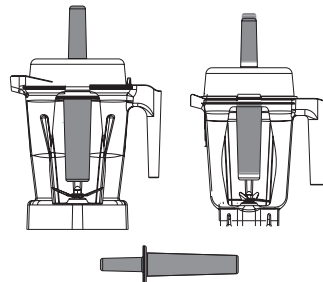
Le récipient de 2 L (64 oz) **haut** fonctionne avec un pilon d'une longueur approximative de 32 cm (12 ½ po).



48 oz. / 1,4 L

Les récipients de 1,4 L (48 oz) et de 0,9 L (32 oz) fonctionnent avec un pilon d'une longueur approximative de 25 cm (9 ¾ po).

32 oz. / 0,9 L



# PANNEAU DE COMMANDE

**Interrupteur Marche/Arrêt (I/O)** – L'interrupteur Marche/Arrêt contrôle l'alimentation de l'appareil.

**Cadran de vitesse variable** – Le cadran de vitesse variable vous offre un contrôle manuel des Variables 1 (basse) à 10 (haute).

**Pulse** (⏏) – Appuyer sur cette fonction de pulsation fait tourner les lames à la vitesse affichée sur le panneau de commande.



# MÉLANGER

**Remarque :** La tasse de 0,6 L (20 oz) mentionnée précédemment fait partie des accessoires facultatifs des mélangeurs Explorian qui doivent être utilisés avec l'adaptateur de tasse individuelle Vitamix. Veuillez visiter [vitamix.com](http://vitamix.com) pour obtenir de plus amples renseignements. Consultez le guide d'utilisation de l'adaptateur de tasse individuelle pour connaître les détails de son utilisation.

## ⚠ ATTENTION



**Pour éviter les brûlures potentielles, ne commencez jamais à mélanger des liquides chauds dans un grand récipient à une vitesse supérieure à 1.**

La vapeur, les éclaboussures et le contenu qui s'échappent peuvent brûler. Commencez toujours à mélanger à la Variable 1, puis augmentez lentement jusqu'à 10.



N'utilisez PAS la tasse de 0,6 L (20 oz) pour chauffer des ingrédients ou mélanger des liquides chauds. Les ingrédients et les liquides chauds peuvent créer une pression interne qui risque de faire éclater la tasse et de provoquer des blessures.



N'utilisez PAS votre appareil en continu pendant plus de 2 minutes avec la tasse de 0,6 L (20 oz) et l'adaptateur de tasse individuelle.



Si une tasse devient chaude au toucher, que de la vapeur s'en échappe ou que le contenu tend à sortir, arrêtez immédiatement de mélanger les ingrédients et éteignez ou débranchez le mélangeur. Laissez la tasse et les ingrédients refroidir à la température ambiante avant de retirer la base de lames.

Les pièces deviennent chaudes après une utilisation prolongée.

NE TOUCHEZ PAS la prise d'entraînement sur le socle du mélangeur ou la cannelure d'entraînement sur l'adaptateur de tasse individuelle.

Pour éviter les dommages ou les blessures corporelles, N'utilisez PAS les tasses (y compris la base de lames ou les



1. Remplissez votre récipient selon votre recette ou l'ordre de remplissage illustré ici.

**IMPORTANT! Utilisez toujours le couvercle et la prise du couvercle sur le grand récipient lorsque l'appareil est en marche. N'utilisez jamais le mélangeur sans vérifier que le couvercle et la prise du couvercle sont bien verrouillés.**

2. Abaissez le couvercle jusqu'à ce que les deux onglets se ferment sur le rebord du récipient. Insérez la prise du couvercle. Tournez la prise du couvercle dans le sens horaire pour la verrouiller.
3. Placez le récipient sur le socle.
4. Regardez le cadran de vitesse variable. Assurez-vous que le cadran est réglé à la vitesse variable 1. Appuyez sur l'interrupteur Marche/Arrêt pour démarrer l'appareil. Les lames commenceront à tourner.
5. Faites tourner le cadran de vitesse variable de 1 à 10 pendant le cycle du mélangeur afin d'augmenter ou de diminuer la vitesse des lames.
6. À la fin du cycle, faites tourner le cadran de vitesse variable dans le sens antihoraire jusqu'à la vitesse variable 1, puis appuyez sur Marche/Arrêt.

*Glace et ingrédients surgelés*  
*Ingrédients*  
*Fruits et légumes*  
*Légumes-feuilles*  
*Ingrédients secs*  
*Liquides*



- Si le mélange cesse de circuler, insérez le pilon par la prise du couvercle et remuez jusqu'à ce que l'air s'échappe. Si cette méthode ne fonctionne pas, appuyez sur l'interrupteur Marche/Arrêt pour arrêter le moteur. Retirez le récipient du socle du mélangeur et utilisez une spatule de caoutchouc pour faire éclater la bulle d'air autour des lames. Ajoutez du liquide, au besoin. Remplacez le couvercle et la prise du couvercle. Remettez le récipient sur le socle du mélangeur et continuez de mélanger.
- Une fois le mélange terminé, attendez que les lames soient complètement arrêtées avant de retirer le couvercle ou le récipient du socle du mélangeur.

#### **Conseils pour éviter de surcharger votre mélangeur :**

- Préparez uniquement des recettes Vitamix lorsque vous apprenez à vous servir de votre mélangeur.
- Ne mélangez pas de recettes à des vitesses inférieures ou supérieures à celles recommandées.
- Ne mélangez pas de recettes plus longtemps que le temps recommandé.
- Utilisez votre pilon pour préparer des mélanges épais et faire circuler les ingrédients autour des lames.

#### **Comment utiliser le pilon :**

**IMPORTANT! Le disque antiéclaboussure (près de la partie supérieure du pilon) et le couvercle empêchent le pilon d'entrer en contact avec les lames lorsque le couvercle est fixé adéquatement en position verrouillée.**

- Le récipient ne doit pas être rempli à plus des deux tiers de sa capacité lorsque le pilon est utilisé pendant le fonctionnement de l'appareil.
- Afin d'éviter la surchauffe pendant le fonctionnement, N'utilisez PAS le pilon pendant plus de 30 secondes consécutives.
- Si les aliments ne circulent pas, le mélangeur pourrait avoir créé une bulle d'air. Retirez prudemment la prise du couvercle en vous assurant que le couvercle demeure bien en place. Laissez l'air de la bulle s'échapper en insérant le pilon par l'ouverture de la prise du couvercle.
- Tenez le pilon tout droit vers le bas n'aide pas forcément les ingrédients à circuler. Au besoin, dirigez le pilon vers les côtés ou les coins du récipient. NE tentez PAS de faire entrer le pilon plus profondément dans le récipient.

## ENTRETIEN ET NETTOYAGE

#### **AVANT LA PREMIÈRE UTILISATION:**

- Nettoyez la base avec un chiffon humide et essuyez-la avec un chiffon doux et sec. Lavez le récipient, le couvercle, la prise du couvercle et le pilon dans l'eau chaude et savonneuse. Rincez toutes les pièces. Essuyez-les à l'aide d'un chiffon doux et sec.
- Choisissez un endroit sur le comptoir qui est plat, sec et propre. Branchez le mélangeur dans une prise triphasée avec

**Remarque :** Votre récipient Vitamix est conçu pour être entièrement lavé sans retirer l'écrou de serrage et l'assemblage de lames. N'essayez PAS de retirer l'écrou de serrage ou l'assemblage de lames du récipient. Nos procédures courantes de nettoyage et de désinfection ou encore un cycle de nettoyage au lave-vaisselle assureront un nettoyage complet et en profondeur de votre récipient et de ses composantes. Si votre récipient est endommagé, ne l'utilisez pas. Communiquez IMMÉDIATEMENT avec le service à la clientèle Vitamix pour obtenir de l'aide.

#### **Suivez les directives suivantes si vous préférez ne pas nettoyer votre récipient au lave-vaisselle.**

##### **Nettoyage du récipient à profil bas de 2L (64 oz):**

- Remplissez le récipient d'eau chaude jusqu'à la moitié et ajoutez quelques gouttes de savon à vaisselle.
- Refermez ou abaissez le couvercle à deux pièces en position verrouillée.
- Appuyez sur le bouton Démarrer/Arrêter. Augmentez la vitesse graduellement jusqu'à la Variable 10.
- Faites fonctionner l'appareil pendant 30 à 60 secondes.
- Ramenez le cadran de vitesse variable à la Variable 1, puis appuyez sur Démarrer/Arrêter.
- Rincez et égouttez toutes les pièces.

##### **Désinfection du récipient à profil bas de 2L (64 oz) avec de l'eau de Javel:**

- Suivez les directives de nettoyage décrites précédemment.
- Remplissez le récipient d'eau jusqu'à la moitié et ajoutez 23 ml (1 ½ c. à thé) d'eau de Javel.
- Refermez ou abaissez le couvercle à deux pièces en position verrouillée.
- Tournez le cadran dans le sens horaire à la vitesse variable 1.
- Appuyez sur Démarrer/Arrêter. Augmentez la vitesse graduellement jusqu'à la variable 10.
- Faites fonctionner l'appareil pendant 30 à 60 secondes.
- Ramenez le cadran de vitesse variable à la Variable 1, puis appuyez sur Démarrer/Arrêter.
- Laissez le mélange reposer dans le récipient pendant 1 ½ minute supplémentaire.
- Videz le mélange d'eau de Javel. Laissez le récipient sécher à l'air. Ne le rincez pas après la désinfection.

### **Désinfection du récipient à profil bas de 2 L (64 oz) avec du vinaigre :**

1. Suivez les directives de nettoyage décrites précédemment.
2. Préparez la solution de vinaigre : pour le récipient de 2 L (64 oz), diluez 473 ml (16 oz) de vinaigre dans 473 ml (16 oz) d'eau.
3. Refermez ou abaissez le couvercle à deux pièces en position verrouillée.
4. Commencez à la vitesse variable 1. Appuyez sur Démarrer/Arrêter.
5. Augmentez la vitesse graduellement jusqu'à la Variable 10.
6. Faites fonctionner l'appareil à la vitesse variable 10 pendant 2 minutes entières.
7. Ramenez le cadran de vitesse variable à la Variable 1, puis appuyez sur Démarrer/Arrêter.
8. Laissez le mélange reposer dans le récipient pendant 3 minutes supplémentaires. La durée de contact totale de la solution de vinaigre dans le récipient doit être de 5 minutes.
9. Versez la solution de vinaigre contenue dans le récipient à l'intérieur du couvercle à deux pièces. Répétez la procédure de désinfection une seconde fois (étapes 2 à 9).
10. Laissez le récipient et le couvercle sécher à l'air. Ne les rincez pas après la désinfection. Au besoin, rincez-les juste avant l'utilisation suivante.

### **Couvercles, prise du couvercle, coussinet de positionnement, pilon, support à pilon et racloir à lame**

Toutes les pièces susmentionnées sont lavables au lave-vaisselle. Vous pouvez également laver ces pièces dans l'eau chaude savonneuse, selon la préférence. Rincez-les bien sous l'eau courante, puis séchez-les.

### **Base pour mélangeur**

1. Éteignez et débranchez le mélangeur.

#### **⚠ ATTENTION**



#### **Pour éviter les blessures et les dommages.**

Pour éviter qu'il ne soit activé par inadvertance, éteignez et débranchez le mélangeur avant le nettoyage.

#### **⚠ ATTENTION**



#### **Risque de décharge électrique.**

Débranchez toujours le mélangeur avant de nettoyer le socle ou lorsqu'il n'est pas en marche.

N'immergez pas le socle du mélangeur dans l'eau ou dans d'autres liquides.

Le non-respect de ces directives peut causer la mort ou une décharge électrique.

2. Nettoyez la surface extérieure à l'aide d'une éponge ou d'un chiffon doux et humide trempé dans une solution de liquide à vaisselle et d'eau chaude. N'immergez pas le socle du mélangeur dans l'eau. Le coussinet de positionnement peut être retiré pour un nettoyage plus en profondeur. Le coussinet de positionnement est lavable au lave-vaisselle.
3. Séchez immédiatement toutes les surfaces et polissez-les à l'aide d'un chiffon doux.





**GARANTIE LIMITÉE DE 3 ANS**  
[www.vitamix.com/3yearlimited](http://www.vitamix.com/3yearlimited)

---

Le cas échéant :



©2026 Vita-Mix Corporation. No part of this publication may be reproduced or transmitted in any form or by any means, or stored in a database or retrieval system, without the written permission of Vita-Mix Corporation.