



## DRINK MACHINE TWO-SPEED

### Durable and Efficient Blending

The Drink Machine Two-Speed is the reliable blender when powerful, functional, blending is needed. With manually-controlled two-speed capability, the Drink Machine Two-Speed will flawlessly create delicious frozen coffee drinks, fruit smoothies, granitas, shakes and more.

### Smart Product Design

- Blades create enough torque to crush 1.4 L of cubed ice in seconds
- Powerful, thermally-protected motor handles dense ingredients without overheating
- Clear, durable 1.4 L container pulls ingredients into the blades for efficiency and better speed of service



Creamy fruit smoothies

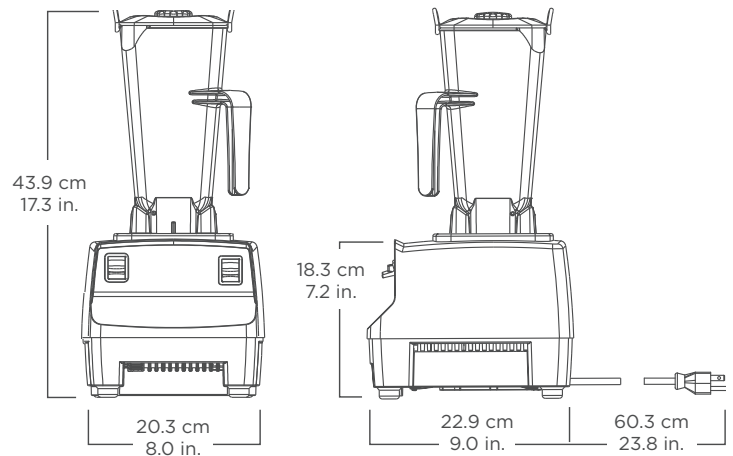
## Product Specifications

### Drink Machine Two-Speed

10011

Item Number: 10011  
 Motor: ≈2 peak output horsepower motor  
 Electrical: 220 - 240 V, 50/60 Hz, 1000 - 1200 W  
 Pack: Includes Drink Machine Two-Speed with 1.4 L high-impact, clear/stackable container, complete with blade assembly and lid, and grey base.  
 Net Weight: 5.5 kg (6.8 kg with box)  
 Dimensions: 43.9 x 20.3 x 22.9 cm (H x W x D)

Warranty: Please contact your authorised Vitamix distributor for warranty information.



## Also Available

Additional containers, complete with blade assembly and lid.

Item Number: 756: container 2.0 L  
 15506: standard container 1.4 L  
 15640: compact container 0.9 L

Where applicable:



## Contact Information

U.S.A., Canada & Latin America:  
 Phone: 800.4DRINK4 or 800.437.4654  
 Email: [foodservice@vitamix.com](mailto:foodservice@vitamix.com)  
[vitamix.co.uk](http://vitamix.co.uk)

Vita-Mix Corporation  
 8615 Usher Road  
 Cleveland, OH 44138-2103 U.S.A.

For UK sales or more information, contact your local UK foodservice distributor:

Jestic Foodservice Equipment  
 Phone: +44 (0) 8455.048050  
 Email: [info@jestic.net](mailto:info@jestic.net)

[www.jestic.co.uk](http://www.jestic.co.uk)