



PROFESSIONAL SERIES™

Owner's Manual

Read and save these instructions



Vita-Mix® Corporation
8615 Usher Road
Cleveland, OH 44138-2103 U.S.A.
1-800-848-2649 / 1-440-235-4840
www.vitamix.com

CONTENTS

Contents	2
Let's Get Started	3
Service & Registration.....	4
Important Safeguards	5
Parts & Features	7
Control Panel	9
About The Blades	10
Tamper	11
How To Use The Tamper	12
Hints For Setting Speeds.....	13
Operating Instructions	14
Care And Cleaning	16
Troubleshooting.....	18
Warranty.....	19
Notes.....	21
Specifications	24

LET'S GET STARTED

Congratulations!

You are about to see how quick, easy, and delicious healthy eating can be!

Please read all the safety information, warnings, and instructional material found in this booklet before getting started. Set your Vitamix machine on a dry, level surface. Make sure that the power switch is set to Off, and that the machine is plugged into a grounded electrical outlet. Then, follow the cleaning instructions on page 16 to prepare your machine for use. Always clean your machine before the first use.

SERVICE AND REGISTRATION

Vitamix Service

Record the model number and serial number of your Vitamix in the spaces provided below for future reference. These numbers can be found on the back of the motor base.

Model Number _____

Serial Number _____

Date of Purchase _____

Purchased From _____

Before returning this product for any reason, including repair, first contact Vitamix Customer Service at 1-800-848-2649 or 1-440-235-4840, email service@vitamix.com, or contact your local dealer.

Product Registration

If you purchased your Vitamix® machine directly from the Vita-Mix® Corporation via the company's website or call center by phone, your product was registered at the time of purchase and your Vitamix machine's warranty has been activated.

If you purchased your Vitamix machine from an International Distributor or Dealer in countries other than the United States, Canada, United Kingdom, or Ireland, your product is warranted through the International Distributor or Dealer and need not be registered with the Vita-Mix Corporation.

Your machine is not yet registered with Vitamix if you:

1. Purchased from a Dealer in the United States, Canada, United Kingdom, or Ireland
2. Purchased from a military base
3. Purchased from a retail or wholesale store
4. Received your Vitamix machine as a gift
5. Are not the original owner of the machine

Enjoy faster and easier service in the future by taking a few minutes to register your Vitamix machine today.

Choose one of these easy ways to register your machine:

1. Online at vitamix.com/warranty
2. Email service@vitamix.com
3. Call 1-800-848-2649 or 1-440-235-4840, press option 2

Your warranty may be honored by Vita-Mix® Corporation or an authorized dealer.

Failure to register your machine will not diminish your warranty rights.

IMPORTANT SAFEGUARDS



WARNING: To avoid the risk of serious injury when using your Vitamix® blender, basic safety precautions should be followed, including the following.



READ ALL INSTRUCTIONS, SAFEGUARDS, AND WARNINGS BEFORE OPERATING BLENDER.

1. Read all instructions.
2. Not intended for use by or near children or persons with reduced physical, sensory, or mental capabilities or lack of experience and knowledge. Close supervision is necessary when any appliance is used by or near children or incapacitated persons.
3. To protect against the risk of electrical shock, do not put the blender base in water or other liquid.
4. Unplug from outlet when not in use, before putting on or taking off parts, and before cleaning.
5. Avoid contacting moving parts.
6. Do not operate any appliance with a damaged cord or plug or after the appliance malfunctions, or is dropped or damaged in any manner. Call Vitamix Customer Service at 1-800-848-2649 or 1-440-235-4840 or email service@vitamix.com at once for examination, repair, replacement, or electrical or mechanical adjustment. If purchased outside the U.S.A. or Canada, contact your local Vitamix dealer.
7. Alteration or modification of any part of the blender base or container, including the use of any part or parts that are not genuine authorized Vitamix parts, may cause fire, electric shock, or injury.
8. The use of attachments not expressly authorized or sold by Vitamix for use with this blender, including canning jars, may cause fire, electric shock, or injury.
9. Do not use outdoors.
10. Do not let cord hang over edge of table or counter.
11. Do not let cord contact hot surface, including the stove.
12. Keep hands and utensils out of container while blending to reduce the risk of severe injury to persons or damage to the blender. A rubber scraper or spatula may be used, but only when the Vitamix blender is not running.
13. The tamper provided must be used only when the main part of the lid is in place.
14. Blades are sharp. Handle or remove blade and blade assembly from the container with extreme care to avoid injury. To reduce the risk of injury, never place a blade assembly on the motor base unless assembled to the Vitamix container.
15. Do not leave foreign objects, such as spoons, forks, knives or the lid plug, in the container as this will damage the blades and other components when starting the machine and may cause injury.
16. Never attempt to operate with damaged blades.

IMPORTANT SAFEGUARDS

17. Always operate blender with lid and lid plug firmly in place. The lid plug should be removed only when adding ingredients and when using the tamper.
18. When blending hot liquids or ingredients, use caution; spray or escaping steam may cause scalding and burns. Do not fill container to the maximum capacity. Always begin processing on the lowest speed setting, variable speed 1. Keep hands and other exposed skin away from the lid opening to prevent possible burns.
19. When making nut butters or oil-based foods, do not process for more than one minute after the mixture starts to circulate in the container. Processing for longer periods can cause dangerous overheating.

SAVE THESE INSTRUCTIONS


⚠ WARNING		
	<p>To Avoid Injury. Read and understand instruction manual before using this machine.</p>	

IMPORTANT INSTRUCTIONS FOR SAFE USE

This product is intended for HOUSEHOLD USE ONLY and is not intended to be used for commercial purposes.

Do not leave your Vitamix blender unattended when operating.

Any repair, servicing, or the replacement of parts must be performed by Vitamix or an authorized service representative.

⚠ WARNING	
	<p>Electrical Shock Hazard. Use grounded outlet only. DO NOT remove ground. DO NOT use an adapter. DO NOT use an extension cord. Failure to follow instructions can cause death or electrical shock.</p>

NOTICE: THE FAILURE TO FOLLOW ANY OF THE IMPORTANT SAFEGUARDS AND THE IMPORTANT INSTRUCTIONS FOR SAFE USE IS A MISUSE OF YOUR VITAMIX BLENDER THAT CAN VOID YOUR WARRANTY AND CREATE THE RISK OF SERIOUS INJURY.

PARTS AND FEATURES

On/Off Switch: Always start the machine with the High/Variable switch in the Variable (∠) position and the Variable Speed Dial pointed to 1. Lift the On/Off Switch to the On position (I) to begin blending. Press the switch to the Off position (O) to stop blending.

High/Variable Switch: Variable (∠) allows use of the Variable Speed Dial. High (Δ) is the fastest speed available.

Variable Speed Dial: The Variable Speed Dial selects blade rotation speeds from 1 to 10 (low to high).

Container: Ounces, cups, and milliliters are clearly marked.

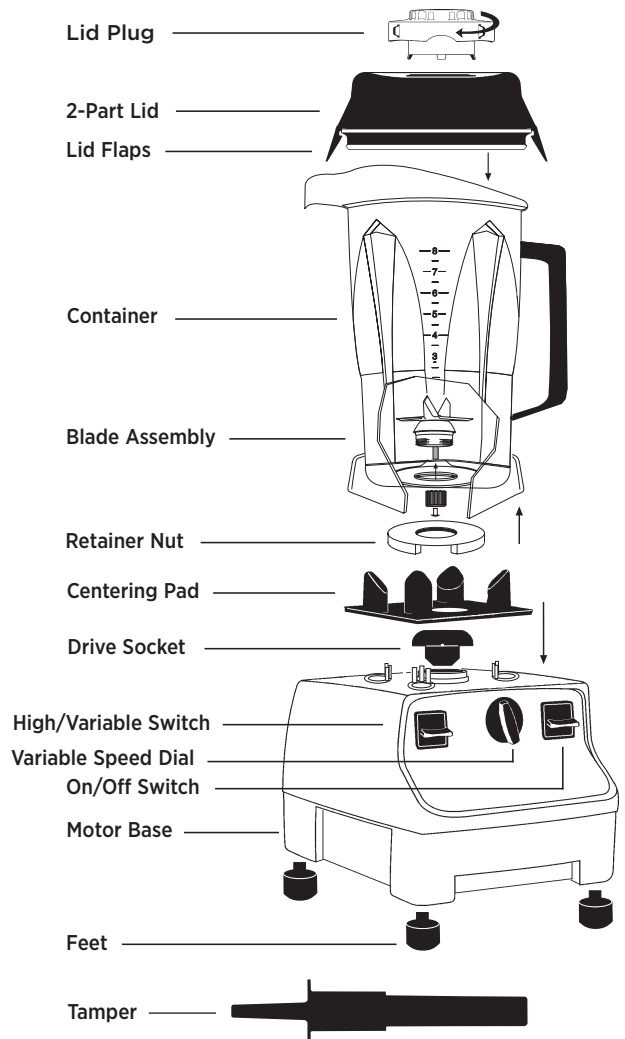
CAUTION: Lids and tampers are not interchangeable between different container styles, types, and sizes.

2-Part Lid: The 2-part Lid is easy to put on and take off and easy to clean. Always use the lid and the lid plug during blending.

Snap the lid onto the container and leave in place for a few minutes. Once the lid has been left on the container, it will be much easier to lock or remove.

Lid Plug: Insert through the lid and secure by turning clockwise. Remove the lid plug to use the tamper or add ingredients.

Tamper: The tamper allows you to accelerate the process of very thick and/or frozen mixtures that cannot be processed in a regular blender. Using the tamper maintains circulation by preventing air pockets from forming during blending.



PARTS AND FEATURES

⚠ WARNING



Rotating Blades Can Cause Severe Injury.

DO NOT reach into container while machine is running.



To Lock the Lid in Place: Position lid on container with lid flaps midway between the spout and the handle. Push the lid onto the container until it locks in place. The lid must always be secured when processing, especially hot liquids that may scald. **Never operate the blender without checking to make sure the lid is securely locked in place.**

To Remove the Lid: Lift up on one lid flap while holding the container securely.

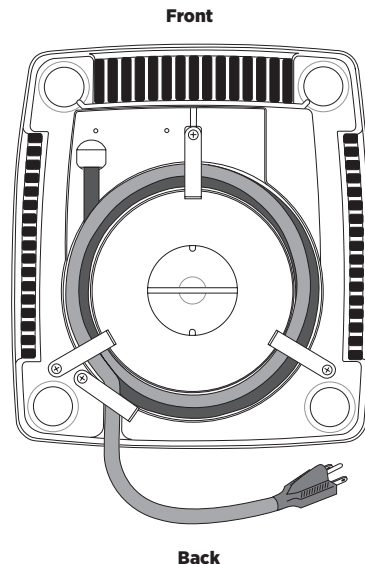
To Remove the Lid Plug: Rotate the lid plug counterclockwise from the “locked” to “unlocked” position and lift out.

Automatic Overload Protection: Your Vitamix motor is designed to protect itself from overheating. If the motor shuts off, follow these instructions:

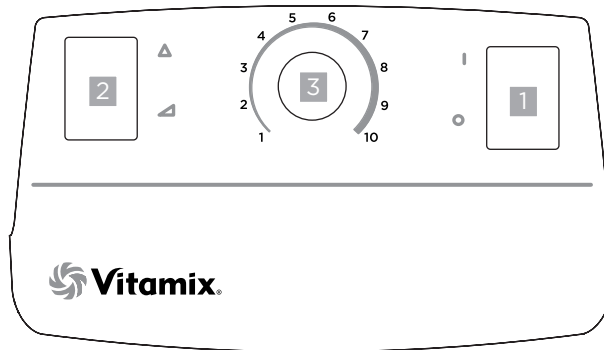
Turn off the power switch for up to 45 minutes to reset. Reset time will be extended if high room temperatures exist. To reduce the reset time, unplug the machine, remove the container, and blow air into the center section of the bottom with a hair dryer on the cool setting.

Power Cord: Your machine is equipped with a long power cord. Store the unused portion neatly underneath.

Bottom View / Cord Wrap: Plastic cord retainers hold the cord securely. There is no need to unscrew the cord retainers to let out more cord. They are flexible, and return to position after the cord is lifted out.



CONTROL PANEL

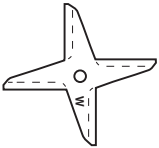


- 1. On/Off Switch:** Push up to turn On (I). Push down to turn Off (O).
- 2. High/Variable Switch:** High (Δ) is the fastest speed available. Switch to Variable (◀) to activate the variable speeds. **Always make sure that the High/Variable Switch is set to Variable (◀) before lifting the On/Off Switch to the On (I) position.** Do not start your machine on High (Δ) speed.
- 3. Variable Speed Dial:** Selects many speed settings. It is active only when the High/Variable Switch is set in the Variable (◀) position.

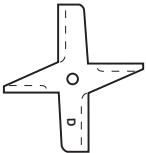
ABOUT THE BLADES

The Vitamix machine comes standard with the wet blade container. The blade is identified by a “W” for wet. This blade is used for most of your recipes. Additional containers with wet or dry blades may be purchased separately.



⚠ WARNING		
	<p>Rotating Blades Can Cause Severe Injury. DO NOT reach into container while machine is running.</p>	



Wet Blade Container: Designed for processing liquids, including juice, frozen mixtures, sauces, soups, purees, batters, and for wet chopping. The wet blades can also grind grain and knead dough, but they are not quite as efficient as the dry blades in this application. If used for grinding, your container will mar and become cloudy; see instructions for dry container use.



Dry Blade Container: These blades are clearly marked “D” and are designed specifically for grinding dry materials such as grains, cereal, and coffee, and are also used for kneading bread dough. The dry blades can NOT process liquids efficiently. *If you grind herbs on a regular basis, you may wish to purchase a separate dry blade container.*

⚠ CAUTION		
	<p>Moving Parts May Become Hot With Extended Use. DO NOT touch.</p>	

TAMPER

⚠ CAUTION

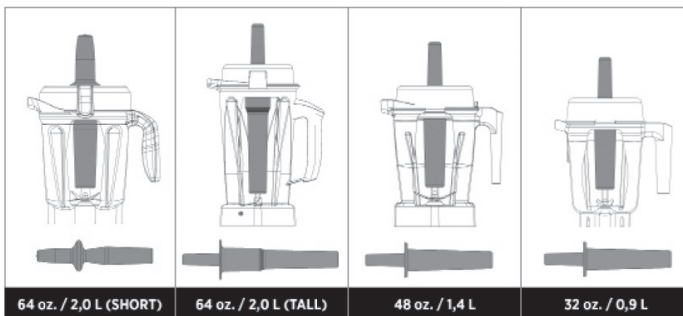


Rotating Blades Can Cause Damage.

Lids and tampers are not interchangeable between different container styles, types, and sizes. Use the tamper that was supplied with your machine.

How to Determine the Tamper that Can Be Used with Your Container

Each type of tamper is designed to be used safely and effectively with a particular container. **If a tamper came with your container, it is the correct tamper for the container.** If a tamper did not come with your container, or you want to determine if a tamper that you already have can be used with your new container, please compare your container with the containers and matching tampers to the illustration below. Before using the tamper during the blending process, verify that it is the correct tamper.



- 64 oz. Short Containers use Tamper P/N 016041 that is approximately 9-3/4 inches long.
- 64 oz. Tall Containers uses Tamper P/N 000760 that is approximately 12-1/2 inches long.
- 32 oz. and 48 oz. Containers use Tamper P/N 015033 that is approximately 11 inches long.

To verify that you are using the correct tamper, place the lid on an empty container, remove the lid plug and insert the tamper. If it is the correct tamper it should easily fit into the opening but will not come in contact with the blades no matter how you move the tamper inside the container. IF THE TAMPER TOUCHES THE BLADES AT ANY ANGLE - DO NOT USE THE TAMPER WITH YOUR CONTAINER.

If you do not have the correct tamper for your container, call Vitamix Customer services at 1-800-848-2649 or 1-440-235-4840 or e-mail service@vitamix.com to order a new tamper. If purchased outside the United States or Canada, contact your local Vitamix Dealer.

HOW TO USE THE TAMPER

⚠ WARNING



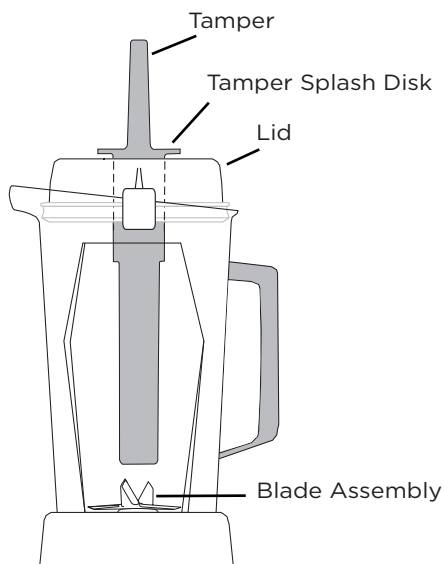
Rotating Blades Can Cause Severe Injury.

- **DO NOT** put hands, spatulas, etc. in the container while the machine is running or while the container is still on the base.
- Lids and tampers are not interchangeable between different container styles, types, and sizes. Use the tamper that was supplied with your machine.



IMPORTANT:

- The splash disk (near the top of the tamper) and lid prevent the tamper from hitting the blades when the lid is secured properly in the locked position.
- The container should not be more than two-thirds full when the tamper is used during blending.
- To avoid overheating during blending, **DO NOT** use the tamper for more than 30 consecutive seconds.
- If the food does not circulate, the machine may have trapped an air bubble. Carefully remove the lid plug while making sure the lid stays firmly in place. Release the air bubble by inserting the tamper through the lid plug opening.
- Holding the tamper straight down may not help the ingredients circulate. If necessary, point the tamper toward the sides or corners of the container. **DO NOT** try to force the tamper deeper into the container.



HINTS FOR SETTING SPEEDS

To minimize splatter, always start with the High/Variable Switch in the Variable (◁) position and with the center Variable Speed Dial pointed at 1. Do not begin processing on Variable 10 or directly on the High (Δ) setting.

Activate the machine by turning the On/Off Switch to On (I) and slowly turn the Variable Speed Dial to the desired speed depending on the recipe used. If a recipe calls for processing on High (Δ), slowly rotate the Variable Speed Dial to 10 and then push the High/Variable Switch up into the High (Δ) position.

Process on the High (Δ) setting for as much of the processing time as possible to make whole food juices, soups, shakes, frozen mixtures, purées, nut butters and for grinding grains. Processing times will generally be less than one minute (most take less than 30 seconds). High (Δ) speed provides the best quality of refinement, breaking down ice, frozen fruit, whole fruits or vegetables, and grains to a smooth lump-free consistency.

TIP: Blending too long at too low a speed setting will overheat the machine and cause the Automatic Overload Protection to turn the machine off. Use the High (Δ) speed as often as possible to achieve the most uniform consistency. Blending on High (Δ) speed also maximizes the motor's cooling fan to avoid overheating.

When on High (Δ), if the food does not circulate, the machine may be overloaded or may have trapped an air bubble. Carefully remove the lid plug while making sure the lid stays firmly in place. Release the air bubble by inserting the tamper through the lid plug opening. If circulation problems continue, reduce the machine speed. A lower speed may allow food to circulate when a higher speed does not. Once the food is circulating freely, increase the speed back to High (Δ) and continue processing.

⚠CAUTION



Never Start on Speeds Above 1 with Hot Liquids to Avoid Possible Burns.

Escaping steam, splashes or contents may scald. To secure the contents, lock the lid and lid plug securely in place prior to operating the machine. Always start on Variable 1, slowly increase to 10.





OPERATING INSTRUCTIONS

Wet Blade Container

Designed for processing liquids including juice, frozen mixtures, sauces, soups, purees, batters, and for wet chopping.

1. Make sure that the Variable Speed Dial is set to 1.
2. Load the container before placing it on the motor base. Place liquids and soft foods in the container first, solid items and ice last. Although not necessary for blending, you may want to cut or break food into smaller pieces for more precise measuring of ingredients.
3. Securely fasten the 2-part lid. Always use the complete 2-part lid when blending (unless the tamper is inserted through the lid plug opening). Especially when blending hot ingredients, make sure the lid is securely latched.
4. With the motor off, set the wet blade container on the motor base by aligning it over the centering pad. Do not attempt to put a container on an operating motor base or to operate a motor base without a container properly in place.
5. Always start with the High/Variable Switch in the Variable (\triangleleft) position and with the center Variable Speed Dial pointed at 1. **Do not begin processing on Variable 10 or directly on the High (Δ) setting.** Activate the machine by turning the On/Off Switch to On (I) then slowly turn the Variable Speed Dial to the desired speed depending on the recipe used. If a recipe calls for processing on High (Δ), slowly rotate the Variable Speed Dial to 10 and then push the High/Variable Switch up into the High (Δ) position.
6. **Take proper care when handling and processing hot ingredients and making hot soups and sauces.**

⚠ CAUTION		
	<p>Never Start on Speeds Above 1 with Hot Liquids to Avoid Possible Burns.</p> <p>Escaping steam, splashes or contents may scald. To secure the contents, lock the lid and lid plug securely in place prior to operating the machine. Always start on Variable 1, slowly increase to 10.</p>	

7. Due to the machine's speed, processing times are much quicker than standard appliances. Until you are accustomed to the machine, count your time carefully to avoid over processing.
8. After turning the machine off, wait until the blades completely stop before removing the lid or container from the motor base.

OPERATING INSTRUCTIONS

Dry Blade Container

If purchased, your dry blade container should only be used for hard, dry materials such as grain, and for kneading dough.

1. Make sure that the Variable Speed Dial is set to 1.
2. Securely fasten the 2-part lid. Always use the complete 2-part lid when blending (unless the tamper is inserted through the lid plug opening).
3. With the motor off, set the dry blade container on the motor base by aligning it over the centering pad. Do not attempt to put a container on an operating motor base or to operate a motor base without a container properly in place.
4. Always start with the High/Variable Switch in the Variable (\sphericalangle) position and with the center Variable Speed Dial pointed at 1. **Do not begin processing on Variable 10 or directly on the High (Δ) setting.** Activate the machine by turning the On/Off Switch to On (I) then slowly turn the Variable Speed Dial to the desired speed depending on the recipe used. If a recipe calls for processing on High (Δ), slowly rotate the Variable Speed Dial to 10 and then push the High/Variable Switch up into the High (Δ) position.
5. After turning the machine off, wait until the blades completely stop before removing the lid or container from the motor base.
6. Due to the machine's speed, and the sometimes-short processing times, count your time carefully to avoid over-processing.
7. Grinding dry material for more than two minutes could damage your machine. Regular use may result in cosmetic marring of the container and cause the blades to become dull over time.
8. Grinding some herbs may release oils, causing the container to discolor permanently. Others have strong odors that may linger in the container, affecting the flavor of other foods. The grinding of some herbs and spices may also cause the blade to dull over time, or the container to crack.

CARE AND CLEANING

Container

To prepare your new machine for initial use, follow the steps under Normal Cleaning below. This will clean the unit, and break-in the motor.

Normal Cleaning:

1. Fill the container half full with warm water and add a couple drops of liquid dish washing detergent to the container.
2. Snap or push the complete 2-Part lid into locked position.
3. Select variable speed 1. Turn machine on and slowly increase speed to variable speed 10, then to High.
4. Run the machine on High speed for 30 to 60 seconds.
5. Turn off the machine, and rinse and drain the container.

To Sanitize:

1. Follow Normal Cleaning instructions above.
2. Fill the container half full with water and 1 1/2 teaspoons of liquid bleach.
3. Snap or push the complete 2-Part lid into locked position.
4. Select variable speed 1. Turn machine on and slowly increase speed to variable speed 10, then to High.
5. Run the machine on High speed for 30 to 60 seconds.
6. Turn off the machine, and allow mixture to stand in the container for an additional 1 1/2 minutes.
7. Pour bleach mixture out. Allow container to air dry.
8. Do not rinse after sanitizing.

Lid, Lid Plug and Tamper


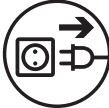
Separate the lid and lid plug. Wash the parts in warm soapy water. Rinse clean under running water, and dry. Reassemble before use.

IMPORTANT: To ensure continued and effective performance, do not put the container, lid, lid plug or tamper in the dishwasher.

CARE AND CLEANING

Motor Base:

1. Unplug the power cord.

⚠ WARNING		
	<p>Electrical Shock Hazard. Disconnect power before cleaning machine. Failure to follow instructions can cause death or electrical shock.</p>	

2. Wash the outside surface with a damp soft cloth or sponge, which has been rinsed in a mild solution of liquid detergent and warm water. Do not place the motor base in water.
3. The centering pad can be removed for more thorough cleaning.
4. Thoroughly clean the switches so they work freely. They may become sticky from use. Moisten a cotton swab with a household degreaser or cleaner and clean the grooves around the switches. Immediately dry all surfaces.
5. Polish with a soft cloth.

TROUBLESHOOTING

Automatic Overload Protection

Your Vitamix machine is equipped with a special feature: Automatic Overload Protection. This built-in feature is designed to protect the motor and prevent your machine from overheating. That means peace of mind for you as a Vitamix owner. When engaged, this Automatic Overload Protection will cause the motor to shut off and possibly emit a light odor.

If your Automatic Overload Protection should ever be activated, refer to page 8 in this manual to easily reset your machine.

Tips to prevent “overloading” your Vitamix machine:

- Process only Vitamix recipes when learning to use the machine
- Do not process recipes at lower speeds than recommended
- Do not process recipes at higher speeds than recommended
- Do not process recipes longer than recommended
- Use your tamper to process thicker mixtures and keep ingredients moving around and through the blades

Retainer Nut Loosening

In the event that the retainer nut at the bottom of your container loosens and no longer securely holds the blade assembly in place, **DO NOT CONTINUE TO USE THE CONTAINER**. Call Vitamix Customer Service at 1-800-848-2649 or 1-440-235-4840, or your local dealer immediately for instructions.

WARRANTY

7-Year Full Machine Warranty

1. PRODUCT REGISTRATION.

Vita-Mix® Corporation (“Vitamix”) strongly encourages you to register your purchase by completing and returning the product registration card that came with this Machine. You can register online at www.vitamix.com/warranty; or by calling our Customer Service Department at 1-800-848-2649 or 1-440-235-4840. Failure to register your product purchase will not diminish your warranty rights. However, registering your purchase will allow Vitamix to better serve you with any of your customer service needs.

2. WHO CAN SEEK WARRANTY COVERAGE.

This Warranty is extended by Vitamix to the owner of this Machine for personal household use only. This Warranty does not apply to products used for commercial, rental or re-sale purposes. Should ownership of the machine change during the 7-year period, please update the Machine’s owner information at www.vitamix.com/warranty.

3. WHAT IS COVERED.

Vitamix warrants to the owner that if this Machine (*a “Machine” consists of a motor blender base and any containers purchased together*) fails within 7 years from the date of purchase due to a defect in material or workmanship or as a result of normal wear and tear from ordinary household use, Vitamix will, within 30 days of receipt of the returned product, repair the failed Machine or component part of the Machine free of charge.

If, in Vitamix’s sole discretion, the failed Machine or component part of the Machine cannot be repaired, Vitamix will elect to either (A) replace the Machine free of charge or (B) refund the full purchase price to the owner, unless Vitamix receives prior written notice of the owner’s preference.

4. WHAT IS NOT COVERED.

This Warranty does not apply to Machines that have been used commercially or in non-household applications. This Warranty does not cover cosmetic changes that do not affect performance, such as discoloration or the effects of the use of abrasives or cleaners or food build up. This Warranty is only valid if the Machine is used and maintained in accordance with the instructions, warnings and safeguards contained in the owner’s manual.

Vitamix will not be responsible for the cost of any unauthorized warranty repairs.

REPAIR, REPLACEMENT OR REFUND OF THE PURCHASE PRICE ARE THE EXCLUSIVE REMEDIES OF PURCHASER AND THE SOLE LIABILITY OF VITAMIX UNDER THIS WARRANTY. NO EMPLOYEE OR REPRESENTATIVE OF VITAMIX IS AUTHORIZED TO MAKE ANY ADDITIONAL WARRANTY OR ANY MODIFICATION TO THIS WARRANTY WHICH MAY BE BINDING UPON VITAMIX. ACCORDINGLY, PURCHASER SHOULD NOT RELY UPON ANY ADDITIONAL STATEMENTS MADE BY ANY EMPLOYEE OR REPRESENTATIVE OF VITAMIX. IN NO EVENT, WHETHER BASED ON CONTRACT, INDEMNITY, WARRANTY, TORT (INCLUDING NEGLIGENCE), STRICT LIABILITY OR OTHERWISE, SHALL VITAMIX BE LIABLE FOR ANY SPECIAL, INDIRECT, INCIDENTAL OR CONSEQUENTIAL DAMAGES, INCLUDING, WITHOUT LIMITATION, LOSS OF PROFIT OR REVENUE.

Some states do not allow limits on warranties. In such states, the above limitations may not apply to you. Outside the U.S.A. and Canada, other warranties may apply.

WARRANTY

5. WHAT VOIDS THIS WARRANTY.

Abuse, misuse, negligent use, alteration of the Machine, exposure to abnormal or extreme conditions, or failure to follow the operating instructions will void this Warranty.

The Warranty is also void if repairs to the Machine or any component part of the Machine are performed by someone other than either Vitamix or an authorized Vitamix Service Provider or if any component part of a Machine subject to this Warranty is used in combination with a motor base or container that is not expressly authorized by Vitamix.

6. HOW TO OBTAIN RETURN AUTHORIZATION UNDER THIS WARRANTY.

In the event that the Machine or any component part of the Machine needs service or repair, please call Vitamix Customer Service at 1-800-848-2649 or 1-440-235-4840. You will be asked to provide a date of purchase and proof of purchase for any product that has not been registered with Vitamix. For product subject to this Warranty you will be provided with a return authorization number, up-to-date shipping instructions and a pre-paid return pick up label. Vitamix will pay standard shipping costs on the return of a Machine or component part for warranty service and repair and for return shipment of the product to you after the warranty repair or replacement. Purchaser is responsible for the costs of special shipping requests.

Within the U.S.A. and Canada, this Warranty is honored directly through the Vita-Mix® Corporation.

United States

Vita-Mix® Corporation
8615 Usher Road
Cleveland, Ohio 44138-2199
1-800-848-2649
service@vitamix.com

Canada

Vita-Mix® Corporation
200-1701 Shepherd Street East
Windsor, Ontario N8Y 4Y5
1-800-848-2649
service@vitamix.com

You will be deemed to have accepted the returned product “as is” upon delivery unless you notify Vitamix of any problem, including shipment damage, within 48 hours of delivery.

SPECIAL INTERNATIONAL INSTRUCTIONS

If a machine was purchased within the U.S.A. or Canada, but is currently outside the U.S.A. or Canada, all shipping and resulting taxes and duties are at the owner's expense.
Call +1-440-235-4840 or email service@vitamix.com for more details.

NOTES

SPECIFICATIONS

Professional Series 200

Motor:

≈2 peak output horsepower motor

Electrical:

120 V, 50/60 Hz, 11.5 A

Uses a U.S.A. three-prong grounded cord.

Dimensions:

Height: 20.3 in. / 51,4 cm

Width: 8.8 in. / 22,4 cm

Depth: 9.0 in. / 22,9 cm

When applicable:



To see the complete line of Vitamix® products,
visit vitamix.com.



Vita-Mix® Corporation
8615 Usher Road
Cleveland, OH 44138-2103 U.S.A.
1-800-848-2649 / 1-440-235-4840
vitamix.com

©2013 Vita-Mix® Corporation. No part of this publication may be reproduced or transmitted in any form or by any means or stored in a database or retrieval system without the written permission of the Vita-Mix® Corporation.



PROFESSIONAL SERIES^{MC}

Guide d'utilisation

Lire et conserver ces instructions



Vita-Mix^{MD} Corporation
8615 Usher Road
Cleveland, OH 44138-2103, É.-U.
1-800-848-2649 / 1-440-235-4840
vitamix.com

CONTENU

Contenu	26
Avant de commencer	27
Service et enregistrement	28
Consignes de sécurité importantes	29
Pièces et caractéristiques	31
Tableau de commande	33
À propos des couteaux	34
Pilon	35
Comment utiliser le pilon	36
Conseils pour le réglage des vitesses	37
Mode d'emploi	38
Entretien et nettoyage	40
Dépannage	42
Garantie	43
Notes	45
Caractéristiques techniques	48

AVANT DE COMMENCER

Félicitations!

Vous êtes sur le point de constater combien une alimentation saine peut être rapide, simple et délicieuse!

Veillez lire toutes les consignes de sécurité, les avertissements et le matériel didactique dans ce guide avant de commencer. Placez votre appareil Vitamix sur une surface plane et sèche. Assurez-vous que l'interrupteur d'alimentation est réglé sur Arrêt et que l'appareil est branché sur une prise mise à la terre. Ensuite, suivez les instructions de nettoyage à la page 40 pour préparer votre appareil à sa première utilisation. Nettoyez toujours votre appareil avant la première utilisation.

SERVICE ET ENREGISTREMENT

Service Vitamix

Notez le numéro de modèle et le numéro de série de votre Vitamix dans les espaces ci-dessous pour référence future. Vous trouverez ces numéros sur l'arrière du socle-moteur.

Numéro de modèle _____

Numéro de série _____

Date d'achat _____

Acheté de _____

Avant de retourner ce produit pour quelque raison que ce soit, y compris une réparation, contactez d'abord le service à la clientèle Vitamix au 1-800-848-2649 ou au 1-440-235-4840, par courriel au service@vitamix.com ou contactez le concessionnaire de votre région.

Enregistrement du produit

Si vous avez acheté votre appareil Vitamix^{MD} directement de Vita-Mix^{MD} Corporation sur le site Internet ou du centre d'appels de l'entreprise, votre produit a été enregistré au moment de l'achat et la garantie de votre appareil Vitamix a été activée.

Si vous avez acheté votre appareil Vitamix chez un distributeur ou un concessionnaire international dans un pays autre que le Canada, les États-Unis, le Royaume-Uni ou l'Irlande, votre appareil est garanti par le distributeur ou le concessionnaire international et n'a pas besoin d'être enregistré auprès de Vita-Mix^{MD} Corporation.

Votre appareil n'est pas encore enregistré auprès de Vitamix si vous :

1. L'avez acheté d'un concessionnaire au Canada, aux États-Unis, au Royaume-Uni ou en Irlande
2. L'avez acheté d'une base militaire
3. L'avez acheté dans un magasin de vente au détail ou en gros
4. Avez reçu votre appareil Vitamix en cadeau
5. N'êtes pas le propriétaire original de l'appareil

Nous pourrions vous servir plus rapidement et facilement si vous prenez quelques minutes pour enregistrer votre appareil Vitamix maintenant.

Choisissez l'un de ces moyens faciles pour enregistrer votre appareil :

1. En ligne sur vitamix.com/warranty
2. Par courriel à service@vitamix.com
3. En appelant au 1-800-848-2649 ou au 1-440-235-4840, et en sélectionnant l'option 2

Votre garantie peut être honorée par Vita-Mix^{MD} Corporation ou un concessionnaire agréé.

Le fait de ne pas enregistrer votre appareil ne diminuera en rien vos droits de garantie.

CONSIGNES DE SÉCURITÉ IMPORTANTES



AVERTISSEMENT : Pour éviter les risques de blessures graves lors de l'utilisation de votre mélangeur Vitamix^{MD}, des précautions de base doivent être respectées, y compris les suivantes.



LIRE TOUTES LES INSTRUCTIONS, GARANTIES ET AVERTISSEMENTS AVANT D'UTILISER LE MÉLANGEUR.

1. Lire toutes les instructions.
2. Cet appareil n'est pas destiné à être utilisé par ou près d'enfants ou de personnes dont les capacités physiques, sensorielles ou mentales sont réduites, ou par des personnes n'ayant pas l'expérience et les connaissances suffisantes. Une surveillance étroite est toujours requise lorsqu'un appareil est utilisé par ou près d'enfants ou de personnes handicapées.
3. Pour se protéger contre le risque de décharge électrique, ne pas placer le socle-moteur du mélangeur dans de l'eau ou tout autre liquide.
4. Débrancher l'appareil lorsqu'il n'est pas utilisé, avant d'installer ou d'enlever des pièces, et avant de le nettoyer.
5. Éviter tout contact avec les pièces mobiles.
6. Ne pas faire fonctionner un appareil dont la fiche ou le cordon est endommagé ou après un dysfonctionnement, ou s'il est tombé ou endommagé de quelque façon. Appeler le service à la clientèle Vitamix au 1-800-848-2649 ou au 1-440-235-4840 ou envoyer un courriel à service@vitamix.com sans tarder si un examen, une réparation, un remplacement ou un réglage électrique ou mécanique est requis. Si vous avez acheté votre appareil dans un pays autre que le Canada ou les États-Unis, contacter le concessionnaire Vitamix de votre région.
7. L'altération ou la modification de toute partie du socle-moteur ou du récipient du mélangeur, y compris l'utilisation de toute pièce qui n'est pas une pièce d'origine autorisée par Vitamix peut provoquer un incendie, une décharge électrique ou des blessures.
8. L'utilisation d'accessoires qui ne sont pas expressément autorisés ou vendus par Vitamix pour une utilisation avec ce mélangeur, y compris les bocaux de conserve, peut provoquer un incendie, une décharge électrique ou des blessures.
9. Ne pas utiliser à l'extérieur.
10. Ne pas laisser le cordon pendre de la table ou du comptoir.
11. Ne pas laisser le cordon entrer en contact avec une surface chaude, y compris la cuisinière.
12. Garder les mains et les ustensiles hors du récipient lors du mélange afin de réduire le risque de blessures graves ou de dommages au mélangeur. Un grattoir en caoutchouc ou une spatule peut être utilisé, mais uniquement lorsque le mélangeur Vitamix ne fonctionne pas.
13. Le pilon fourni doit être utilisé uniquement lorsque la partie principale du couvercle est en place.
14. Le couteau est tranchant. Manipuler ou retirer le couteau et l'ensemble couteau du récipient avec prudence afin d'éviter les blessures. Afin de réduire le risque de blessure, ne jamais placer un ensemble couteau sur le socle-moteur à moins qu'il soit fixé au récipient Vitamix.
15. Ne pas laisser d'objets étrangers, comme des cuillères, fourchettes, couteaux ou le bouchon du couvercle, dans le récipient car cela peut endommager le couteau et autres composants lors du démarrage de l'appareil et peut causer des blessures.
16. Ne jamais essayer d'utiliser l'appareil lorsque le couteau est endommagé.

CONSIGNES DE SÉCURITÉ IMPORTANTES

17. Toujours faire fonctionner le mélangeur avec le couvercle et bouchon du couvercle fermement en place. Le bouchon du couvercle ne doit être retiré que pour ajouter des ingrédients et pour utiliser le pilon.
18. Faire preuve de prudence si des liquides ou des ingrédients chauds sont mélangés; un jet ou de la vapeur qui s'échappe peut échauder et causer des brûlures. Ne pas remplir le récipient à sa capacité maximale. Toujours commencer le traitement à la vitesse la plus basse, à la vitesse variable 1. Garder les mains et la peau exposée loin de l'ouverture du couvercle pour éviter les brûlures possibles.
19. Lors de la préparation de beurres de noix ou de produits alimentaires à base d'huile, ne pas traiter plus d'une minute après que le mélange commence à circuler dans le récipient. Le traitement sur des périodes plus longues peut causer une surchauffe dangereuse.

CONSERVER CE MODE D'EMPLOI


⚠ AVERTISSEMENT		
	<p>Pour éviter les blessures.</p> <p>Lire et comprendre le manuel d'instructions avant d'utiliser cet appareil.</p>	

INSTRUCTIONS IMPORTANTES POUR UNE UTILISATION EN TOUTE SÉCURITÉ

Ce produit est conçu pour un USAGE DOMESTIQUE SEULEMENT et n'est pas destiné à être utilisé à des fins commerciales.

Ne pas laisser votre mélangeur Vitamix sans surveillance lorsqu'il fonctionne.

Toute réparation, entretien ou remplacement des pièces doit être effectué par Vitamix ou un représentant de service autorisé.

⚠ AVERTISSEMENT	
	<p>Risque de décharge électrique.</p> <p>Utiliser seulement une prise mise à la terre.</p> <p>NE PAS enlever la broche de mise à la terre.</p> <p>NE PAS utiliser un adaptateur.</p> <p>NE PAS utiliser une rallonge.</p> <p>Le non-respect de ces instructions peut entraîner la mort ou causer une décharge électrique.</p>

AVIS : LE NON-RESPECT DE TOUTE CONSIGNE DE SÉCURITÉ IMPORTANTE OU DE TOUTE INSTRUCTION IMPORTANTE VISANT UNE UTILISATION SÉCURITAIRE CONSTITUE UNE UTILISATION INAPPROPRIÉE DE VOTRE MÉLANGEUR VITAMIX. CELA PEUT ANNULER VOTRE GARANTIE ET REPRÉSENTE UN RISQUE DE BLESSURES GRAVES.

PIÈCES ET CARACTÉRISTIQUES

Interrupteur Marche/Arrêt : Toujours démarrer l'appareil avec l'interrupteur Haute/Variable à la position Variable (∇) et le sélecteur de vitesse variable pointant sur le 1. Appuyer sur l'interrupteur Marche/Arrêt vers le haut à la position Marche (I) pour commencer le mélange. Appuyer sur l'interrupteur vers le bas à la position Arrêt (O) pour arrêter le mélange.

Interrupteur Haute/Variable : Variable (∇) permet d'utiliser le sélecteur de vitesse variable. Haute (Δ) est la vitesse la plus rapide disponible.

Sélecteur de vitesse variable : Le sélecteur de vitesse variable permet de sélectionner les vitesses de rotation du couteau de 1 à 10 (basse à haute).

Récipient : Les onces, les tasses et les millilitres sont clairement indiqués.

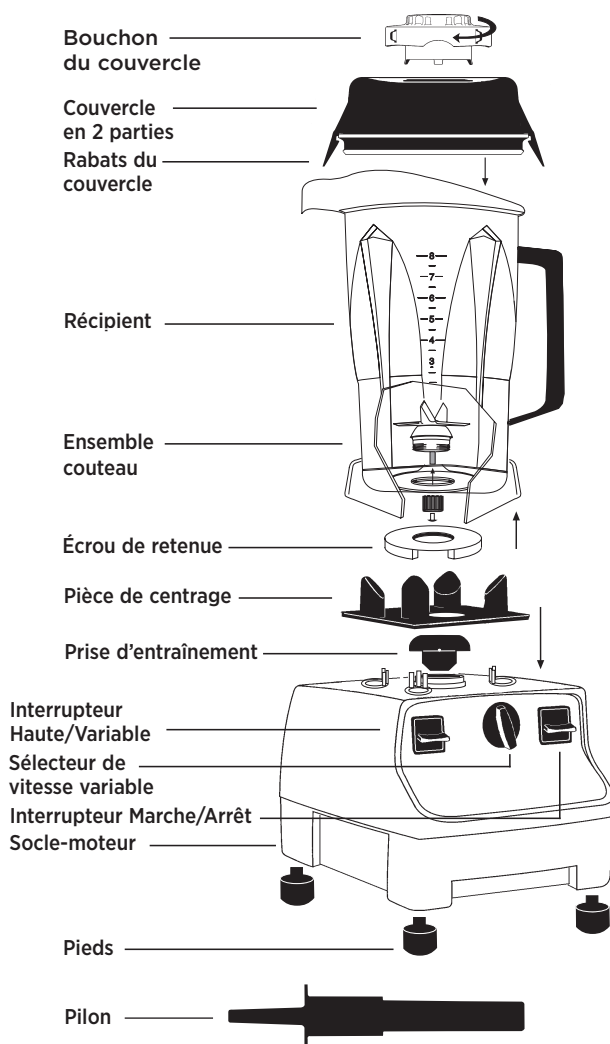
⚠ ATTENTION : Les couvercles et les pilons ne sont pas interchangeables entre récipients de styles, de types et de tailles différents.

Couvercle en 2 parties : Le couvercle en 2 parties est facile à mettre et à enlever et facile à nettoyer. Utiliser toujours le couvercle et le bouchon du couvercle pendant le mélange.

Enclencher le couvercle sur le récipient et laisser en place pendant quelques minutes. Une fois que le couvercle a été laissé sur le récipient, il sera beaucoup plus facile de le verrouiller ou de l'enlever.

Bouchon du couvercle : Insérer le bouchon dans le couvercle et le fixer en tournant vers la droite. Retirer le bouchon du couvercle pour utiliser le pilon ou ajouter des ingrédients.

Pilon : Le pilon vous permet d'accélérer le processus des mélanges très épais et/ou surgelés qui ne peuvent être traités dans un mélangeur conventionnel. Utiliser le pilon assure la circulation en empêchant la formation de poches d'air pendant le mélange.



PIÈCES ET CARACTÉRISTIQUES

⚠ AVERTISSEMENT



Le couteau rotatif peut causer de graves blessures.

NE PAS mettre la main dans le récipient alors que l'appareil est en marche.



Pour verrouiller le couvercle en place : Placer le couvercle sur le récipient avec les rabats du couvercle à mi-chemin entre le bec et la poignée. Pousser le couvercle sur le récipient jusqu'à ce qu'il soit verrouillé en place. Le couvercle doit toujours être fixé lors du traitement, en particulier pour les liquides chauds pouvant provoquer des brûlures. **Ne jamais faire fonctionner le mélangeur sans s'assurer que le couvercle est bien verrouillé en place.**

Pour retirer le couvercle : Soulever un rabat du couvercle tout en tenant le récipient fermement.

Pour retirer le bouchon du couvercle : Tourner le bouchon du couvercle en sens inverse des aiguilles d'une montre de la position « verrouillée » à « déverrouillée » et soulever.

Protection automatique contre les surcharges : Votre moteur Vitamix est conçu pour se protéger contre la surchauffe. Si le moteur s'arrête, suivre ces instructions :

Mettre l'interrupteur d'alimentation à Arrêt pour jusqu'à 45 minutes afin de réinitialiser l'appareil. Le temps de réinitialisation sera prolongé si la température ambiante est élevée. Afin de réduire le temps de réinitialisation, débrancher l'appareil, retirer le récipient et souffler de l'air dans la partie centrale du fond avec un sèche-cheveux sur le réglage froid.

Cordon d'alimentation : Votre appareil est muni d'un cordon d'alimentation long. Ranger soigneusement la partie inutilisée sous l'appareil.

Vue de dessous / Enrouleur de cordon : Des dispositifs de retenue de cordon en plastique retiennent le cordon. Il n'est pas nécessaire de dévisser les dispositifs de retenue de cordon pour faire sortir plus de cordon. Ils sont flexibles et reviennent à leur position après que le cordon en ait été tiré.

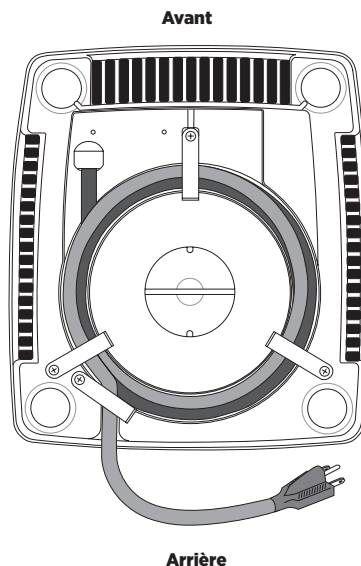
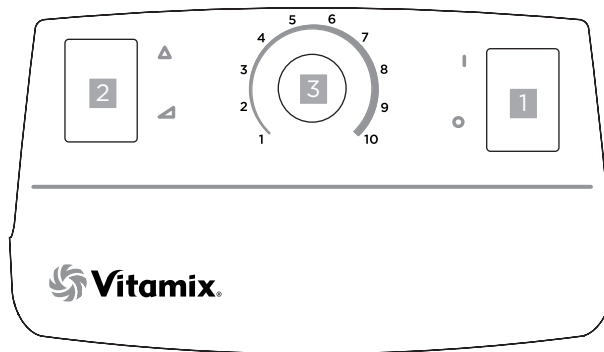


TABLEAU DE COMMANDE



- 1. Interrupteur Marche/Arrêt :** Appuyer vers le haut pour mettre à Marche (I). Appuyer vers le bas pour mettre à Arrêt (O).
- 2. Interrupteur Haute/Variable :** Haute (Δ) est la vitesse la plus rapide disponible. Mettre à Variable (∇) pour activer les vitesses variables. **Toujours s'assurer que l'interrupteur Haute/Variable est réglé sur Variable (∇) avant d'appuyer sur l'interrupteur Marche/Arrêt vers le haut à la position Marche (I).** Ne pas mettre votre appareil en marche à la vitesse Haute (Δ).
- 3. Sélecteur de vitesse variable :** Permet de sélectionner plusieurs réglages de vitesse. Il est actif uniquement lorsque l'interrupteur Haute/Variable est réglé sur la position Variable (∇).

À PROPOS DES COUTEAUX

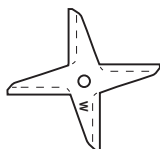
L'appareil Vitamix de base est vendu avec le récipient pour couteau humide. Le couteau est identifié par un « W » (pour « Wet » en anglais). Ce couteau est utilisé pour la plupart de vos recettes. Des récipients supplémentaires avec un couteau à lames humides ou sèches peuvent être achetés séparément.

⚠ AVERTISSEMENT

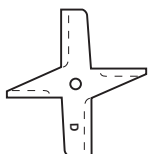


Le couteau rotatif peut causer de graves blessures.

NE PAS mettre la main dans le récipient alors que l'appareil est en marche.



Récipient pour couteau humide : Conçu pour le traitement de liquides, y compris les jus, mélanges surgelés, sauces, soupes, purées, pâtes et pour hacher les ingrédients humides. Les couteaux humides peuvent également mouliner le grain et pétrir la pâte, mais ils ne sont pas aussi efficaces que les couteaux secs pour cette application. S'il est utilisé pour mouliner, votre récipient marquera et deviendra trouble; voir les instructions pour le récipient sec.



Récipient pour couteau sec : Ces couteaux sont clairement marqués d'un « D » et sont spécialement conçus pour mouliner les ingrédients secs tels que les grains, les céréales et le café, et sont également utilisés pour pétrir la pâte à pain. Les couteaux secs ne peuvent PAS traiter efficacement les liquides. *Si vous broyez des herbes régulièrement, vous pourriez songer à acheter un récipient pour couteau sec séparé.*

⚠ ATTENTION



Les pièces mobiles peuvent devenir chaudes après une utilisation prolongée.

NE PAS toucher ces pièces.



PILON

⚠ ATTENTION

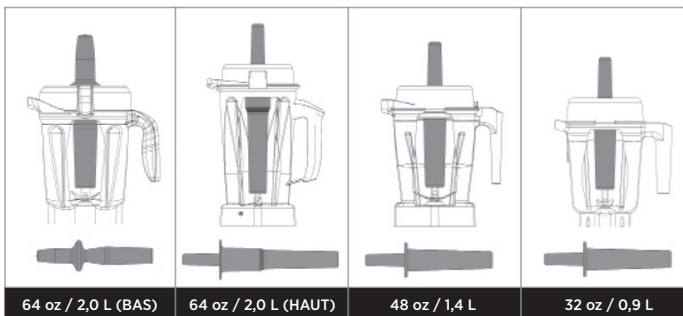


Le couteau rotatif peut causer des dommages.

Les couvercles et les pilons ne sont pas interchangeables entre récipients de styles, de types et de tailles différents. Utiliser le pilon qui a été fourni avec votre appareil.

Comment déterminer quel pilon peut être utilisé avec votre récipient

Chaque type de pilon est conçu pour être utilisé en toute sécurité et efficacement avec un récipient particulier. **Si un pilon est fourni avec votre récipient, c'est le pilon approprié pour le récipient.** Si un pilon n'est pas fourni avec votre récipient, ou si vous voulez déterminer si un pilon que vous avez déjà peut être utilisé avec votre nouveau récipient, veuillez comparer votre récipient avec les récipients et les pilons correspondants à l'illustration ci-dessous.



Avant d'utiliser le pilon pendant le processus de mélange, vérifier que c'est le pilon approprié.

- *Récipients bas de 2,0 L (64 oz)* utiliser le pilon no de pièce 016041 mesurant environ 9-3/4 po (24,77 cm) de long.
- *Récipients hauts de 2,0 L (64 oz)* utiliser le pilon no de pièce 000760 mesurant environ 12-1/2 po (31,75 cm) de long.
- *Récipients de 0,9 L (32 oz) et de 1,4 L (48 oz)* utiliser le pilon no de pièce 015033 mesurant environ 11 po (27,94 cm) de long.

Pour vérifier que vous utilisez le pilon approprié, placer le couvercle sur un récipient vide, retirer le bouchon du couvercle et insérer le pilon. Si c'est le pilon approprié, il devrait s'insérer facilement dans l'ouverture, mais sans entrer en contact avec le couteau, peu importe la façon dont vous déplacez le pilon à l'intérieur du récipient. **SI LE PILON TOUCHE LE COUTEAU À N'IMPORTE QUEL ANGLE, NE PAS UTILISER CE PILON AVEC VOTRE RÉCIENT.**

Si vous n'avez pas le pilon approprié pour votre récipient, appeler le service à la clientèle Vitamix au 1-800-848-2649 ou au 1-440-235-4840 ou envoyer un courriel à service@vitamix.com pour commander un nouveau pilon. Si vous avez acheté votre appareil dans un pays autre que le Canada et les États-Unis, contacter le concessionnaire Vitamix de votre région.

COMMENT UTILISER LE PILON

⚠ AVERTISSEMENT



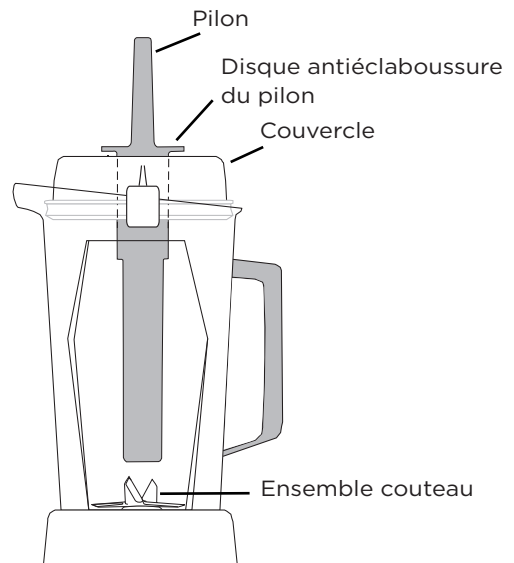
Le couteau rotatif peut causer de graves blessures.

- **NE PAS** mettre les mains, les spatules, etc., dans le récipient pendant que l'appareil est en marche ou lorsque le récipient est toujours sur le socle.
- Les couvercles et les pilons ne sont pas interchangeables entre récipients de styles, de types et de tailles différents. Utiliser le pilon qui a été fourni avec votre appareil.



IMPORTANT :

- Lorsque le couvercle est correctement fixé en position verrouillée, le disque antiéclaboussure (près du haut du pilon) et le couvercle empêchent le pilon de frapper le couteau.
- Le récipient ne doit pas être plus de deux tiers plein lorsque le pilon est utilisé pendant le mélange.
- Pour éviter la surchauffe pendant le mélange, **NE PAS** utiliser le pilon pendant plus de 30 secondes consécutives.
- Si les aliments ne circulent pas, il se peut qu'une bulle d'air soit prisonnière dans l'appareil. Retirer avec soin le bouchon du couvercle tout en s'assurant que le couvercle reste bien en place. Faire sortir la bulle d'air en insérant le pilon par l'ouverture du bouchon du couvercle.
- Il se peut que tenir le pilon tout droit vers le bas n'aide pas les ingrédients à circuler. Au besoin, diriger le pilon vers les côtés ou les coins du récipient. **NE PAS** tenter de forcer le pilon plus profondément dans le récipient.



CONSEILS POUR LE RÉGLAGE DES VITESSES

Pour minimiser les éclaboussures, toujours démarrer l'appareil avec l'interrupteur Haute/Variable à la position Variable (∇) et le sélecteur de vitesse variable au centre pointant sur le 1. Ne pas commencer le traitement à la vitesse variable 10 ou directement sur le réglage Haute (Δ).

Mettre l'appareil en marche en mettant l'interrupteur Marche/Arrêt sur Marche (I) et tourner lentement le sélecteur de vitesse variable jusqu'à la vitesse désirée en fonction de la recette utilisée. Si une recette requiert un traitement à la vitesse Haute (Δ), tourner lentement le sélecteur de vitesse variable jusqu'à 10, puis appuyer sur l'interrupteur Haute/Variable vers le haut à la position Haute(Δ).

Traiter en utilisant le réglage Haute (Δ) pour autant de temps de traitement que possible pour préparer les jus, soupes, laits frappés, mélanges surgelés, purées, beurres de noix à partir d'aliments entiers et pour mouliner les grains. Les temps de traitement seront généralement moins d'une minute (la plupart prendront moins de 30 secondes). La vitesse Haute (Δ) offre la meilleure qualité de raffinement, permettant de briser la glace, les fruits surgelés, les fruits et légumes entiers et les grains et d'obtenir une consistance lisse sans grumeaux.

CONSEIL : Mélanger trop longtemps à un réglage de vitesse trop bas peut surchauffer l'appareil et provoquer l'arrêt de l'appareil par la protection automatique contre les surcharges. Utiliser la vitesse Haute (Δ) aussi souvent que possible pour obtenir la consistance la plus uniforme. Mélanger à la vitesse Haute (Δ) permet également de maximiser le ventilateur de refroidissement du moteur pour éviter la surchauffe.

À la vitesse Haute (Δ), si les aliments ne circulent pas, il se peut que l'appareil soit surchargé ou qu'une bulle d'air soit prisonnière dans l'appareil. Retirer avec soin le bouchon du couvercle tout en s'assurant que le couvercle reste bien en place. Faire sortir la bulle d'air en insérant le pilon par l'ouverture du bouchon du couvercle. Réduire la vitesse de l'appareil si les problèmes de circulation continuent. Une vitesse inférieure peut permettre aux aliments de circuler lorsqu'une vitesse plus élevée ne fonctionne pas. Une fois que les aliments circulent, augmenter la vitesse jusqu'à Haute (Δ) de nouveau et poursuivre le traitement.

⚠ ATTENTION



Afin d'éviter les brûlures possibles lorsque des liquides chauds sont utilisés, ne jamais démarrer à des vitesses supérieures à 1.

La vapeur, les éclaboussures ou le contenu s'échappant du récipient peuvent causer des brûlures.

Pour sécuriser le contenu, bien verrouiller en place le couvercle et le bouchon du couvercle avant de faire fonctionner l'appareil.



Toujours commencer à la vitesse variable 1, puis augmenter lentement jusqu'à 10.



Récipient pour couteau humide

Conçu pour le traitement de liquides, y compris les jus, mélanges surgelés, sauces, soupes, purées, pâtes et pour hacher les ingrédients humides.

1. S'assurer que le sélecteur de vitesse variable est réglé sur 1.
2. Charger le récipient avant de le placer sur le socle-moteur. Placer les liquides et les aliments mous dans le récipient en premier, puis les articles solides et la glace en dernier. Même si cela n'est pas nécessaire pour le mélange, couper ou briser les aliments en plus petits morceaux permettra de mesurer les ingrédients avec plus de précision.
3. Fixer solidement le couvercle en 2 parties. Toujours utiliser le couvercle en 2 parties lors du mélange (à moins que le pilon soit inséré par l'ouverture du bouchon du couvercle). S'assurer que le couvercle est bien verrouillé, surtout pour le mélange d'ingrédients chauds.
4. Alors que le moteur est à l'arrêt, placer le récipient pour couteau humide sur le socle-moteur en l'alignant sur la pièce de centrage. Ne jamais tenter de mettre le récipient sur le socle-moteur alors qu'il est en marche ou de mettre en marche le socle-moteur sans que le récipient soit bien en place.
5. Toujours démarrer l'appareil avec l'interrupteur Haute/Variable à la position Variable (\sphericalangle) et le sélecteur de vitesse variable au centre pointant sur le 1. **Ne pas commencer le traitement à la vitesse variable 10 ou directement sur le réglage Haute (Δ)**. Mettre l'appareil en marche en mettant l'interrupteur Marche/Arrêt sur Marche (I) et tourner lentement le sélecteur de vitesse variable à la vitesse désirée en fonction de la recette utilisée. Si une recette requiert un traitement à la vitesse Haute (Δ), tourner lentement le sélecteur de vitesse variable jusqu'à 10, puis appuyer sur l'interrupteur Haute/Variable vers le haut à la position Haute (Δ).
6. **Prendre soin lors de la manipulation et du traitement d'ingrédients chauds et de la préparation des soupes et des sauces chaudes.**

⚠ ATTENTION		
	<p>Afin d'éviter les brûlures possibles lorsque des liquides chauds sont utilisés, ne jamais démarrer à des vitesses supérieures à 1.</p> <p>La vapeur, les éclaboussures ou le contenu s'échappant du récipient peuvent causer des brûlures.</p> <p>Pour sécuriser le contenu, bien verrouiller en place le couvercle et le bouchon du couvercle avant de faire fonctionner l'appareil.</p> <p>Toujours commencer à la vitesse variable 1, puis augmenter lentement jusqu'à 10.</p>	

7. En raison de la vitesse de l'appareil, les temps de traitement sont beaucoup plus courts que les appareils conventionnels. Jusqu'à ce que vous soyez habitué à l'appareil, compter le temps de traitement avec soin pour éviter de trop traiter les aliments.
8. Après l'arrêt de l'appareil, attendre que le couteau s'arrête complètement avant de retirer le couvercle ou le récipient du socle-moteur.

MODE D'EMPLOI

Réceptif pour couteau sec

Si vous avez acheté un réceptif pour couteau sec, celui-ci doit être utilisé uniquement pour les ingrédients durs et secs comme les grains et pour pétrir la pâte.

1. S'assurer que le sélecteur de vitesse variable est réglé sur 1.
2. Fixer solidement le couvercle en 2 parties. Toujours utiliser le couvercle en 2 parties lors du mélange (à moins que le pilon soit inséré par l'ouverture du bouchon du couvercle).
3. Alors que le moteur est à l'arrêt, placer le réceptif pour couteau sec sur le socle-moteur en l'alignant sur la pièce de centrage. Ne jamais tenter de mettre le réceptif sur le socle-moteur alors qu'il est en marche ou de mettre en marche le socle-moteur sans que le réceptif soit bien en place.
4. Toujours démarrer l'appareil avec l'interrupteur Haute/Variable à la position Variable (\sphericalangle) et le sélecteur de vitesse variable au centre pointant sur le 1. **Ne pas commencer le traitement à la vitesse variable 10 ou directement sur le réglage Haute (Δ)**. Mettre l'appareil en marche en mettant l'interrupteur Marche/Arrêt sur Marche (I) et tourner lentement le sélecteur de vitesse variable à la vitesse désirée en fonction de la recette utilisée. Si une recette requiert un traitement à la vitesse Haute (Δ), tourner lentement le sélecteur de vitesse variable jusqu'à 10, puis appuyer sur l'interrupteur Haute/Variable vers le haut à la position Haute (Δ).
5. Après l'arrêt de l'appareil, attendre que le couteau s'arrête complètement avant de retirer le couvercle ou le réceptif du socle-moteur.
6. En raison de la vitesse de l'appareil et des temps de traitement parfois courts, compter le temps de traitement avec soin pour éviter de trop traiter les aliments.
7. Moulin des ingrédients secs plus de deux minutes peut endommager votre appareil. Une utilisation régulière peut marquer le réceptif et émousser le couteau avec le temps.
8. Broyer certaines herbes peut libérer des huiles, ce qui causera une décoloration permanente du réceptif. Certaines herbes ont des odeurs fortes qui peuvent persister dans le réceptif, affectant la saveur des autres aliments. Le broyage de certaines herbes et épices peut aussi émousser le couteau avec le temps ou fissurer le réceptif.

ENTRETIEN ET NETTOYAGE

Récipient

Suivre les étapes décrites à la section Nettoyage Normal ci-dessous pour préparer votre nouvel appareil pour sa première utilisation. Cela permet de nettoyer l'appareil et de roder le moteur.

Nettoyage normal :

1. Remplir le récipient à moitié d'eau tiède et ajouter quelques gouttes de liquide pour la vaisselle dans le récipient.
2. Enclencher ou enfoncer le couvercle en 2 parties au complet dans la position verrouillée.
3. Sélectionner la vitesse variable 1. Mettre l'appareil en marche et augmenter lentement la vitesse jusqu'à la vitesse variable 10, puis sur Haute.
4. Faire fonctionner l'appareil à haute vitesse pendant 30 à 60 secondes.
5. Arrêter l'appareil, puis rincer et égoutter le récipient.

Pour désinfecter :

1. Suivre les instructions de nettoyage normal ci-dessus.
2. Remplir le récipient à moitié d'eau et ajouter 1 1/2 cuillère à café d'eau de Javel.
3. Enclencher ou enfoncer le couvercle en 2 parties au complet dans la position verrouillée.
4. Sélectionner la vitesse variable 1. Mettre l'appareil en marche et augmenter lentement la vitesse jusqu'à la vitesse variable 10, puis la mettre sur Haute.
5. Faire fonctionner l'appareil à haute vitesse pendant 30 à 60 secondes.
6. Arrêter l'appareil et laisser reposer le mélange dans le récipient pendant 1 1/2 minute supplémentaire.
7. Vider le récipient du mélange contenant de l'eau de Javel. Laisser le récipient sécher à l'air.
8. Ne pas rincer après la désinfection.

Couvercle, bouchon du couvercle et pilon

Séparer le couvercle et le bouchon du couvercle. Laver les pièces dans de l'eau tiède savonneuse. Rincer à l'eau courante et sécher. Réinsérer le bouchon du couvercle dans le couvercle avant l'utilisation.

IMPORTANT : Pour assurer une performance continue et efficace, ne pas mettre le récipient, le couvercle, le bouchon du couvercle ou le pilon dans le lave-vaisselle.

ENTRETIEN ET NETTOYAGE

Socle-moteur :

1. Débrancher le cordon d'alimentation.

⚠ AVERTISSEMENT		
	<p>Risque de décharge électrique. Couper l'alimentation avant de nettoyer l'appareil.</p> <p>Le non-respect de ces instructions peut entraîner la mort ou causer une décharge électrique.</p>	

2. Laver la surface extérieure avec une éponge ou un chiffon doux et humide qui a été rincé dans une solution de détergent liquide doux et d'eau chaude. Ne pas placer le socle-moteur dans l'eau.
3. La pièce de centrage peut être retirée pour un nettoyage plus approfondi.
4. Nettoyer soigneusement les interrupteurs afin qu'ils bougent sans obstruction. Ils peuvent devenir collants avec l'utilisation. Imbiber un coton-tige avec un produit dégraissant ou un nettoyant domestique et nettoyer les rainures autour des interrupteurs. Sécher immédiatement toutes les surfaces.
5. Polir avec un chiffon doux.

DÉPANNAGE

Protection automatique contre les surcharges

Votre appareil Vitamix est équipé d'une fonction spéciale : Protection automatique contre les surcharges. Cette fonction intégrée est conçue pour protéger le moteur et empêcher votre appareil de surchauffer. En tant que propriétaire Vitamix, cela vous procure la tranquillité d'esprit. Une fois activée, cette protection automatique contre les surcharges arrêtera le moteur et il pourrait y avoir une légère odeur.

Si votre protection automatique contre les surcharges devait être activée, voir les instructions à la page 8 de ce guide afin de réinitialiser facilement votre appareil.

Conseils pour prévenir la « surcharge » de votre appareil Vitamix :

- Pour apprendre à utiliser l'appareil, n'utiliser que des recettes Vitamix
- Ne pas réduire les vitesses de préparation recommandées pour les recettes
- Ne pas dépasser les vitesses de préparation recommandées pour les recettes
- Ne pas dépasser les temps de traitement recommandés pour les recettes
- Utiliser votre pilon pour préparer des mélanges plus épais et garder les ingrédients en mouvement autour et dans les lames du couteau

Écrou de retenue desserré

Si l'écrou de retenue au fond de votre récipient se desserre et ne maintient plus en place l'ensemble couteau de manière sécuritaire, CESSER D'UTILISER LE RÉCIPIENT. Appeler immédiatement le service à la clientèle Vitamix au 1-800-848-2649 ou au 1-440-235-4840, ou le concessionnaire de votre région pour obtenir des instructions.

GARANTIE

Garantie 7 ans complète pour l'appareil

1. ENREGISTREMENT DU PRODUIT.

Vita-Mix^{MD} Corporation (« Vitamix ») vous recommande vivement d'enregistrer votre achat en remplissant et en retournant la carte d'enregistrement du produit fournie avec cet appareil. Vous pouvez enregistrer votre appareil en ligne sur www.vitamix.com/warranty; ou en appelant notre service à la clientèle au 1-800-848-2649 ou au 1-440-235-4840. Le fait de ne pas enregistrer votre appareil ne diminuera en rien vos droits de garantie. Toutefois, l'enregistrement de votre achat permettra à Vitamix de mieux vous servir, peu importe vos besoins.

2. QUI PEUT BÉNÉFICIER DE CETTE GARANTIE.

Cette garantie est offerte par Vitamix au propriétaire de cet appareil pour un usage domestique personnel seulement. Cette garantie ne s'applique pas aux produits utilisés à des fins commerciales, de location ou de revente. Si l'appareil devait changer de propriétaire pendant la période de 7 ans, vous devez mettre à jour les informations du propriétaire de l'appareil sur www.vitamix.com/warranty.

3. CE QUI EST COUVERT.

Vitamix garantit au propriétaire que si cet appareil (*un « appareil » se compose d'un socle-moteur du mélangeur et des récipients achetés ensemble*) tombe en panne dans les 7 ans à compter de la date d'achat en raison d'un défaut de matériau ou de fabrication ou à la suite d'une usure normale pour un usage domestique, Vitamix procédera, dans les 30 jours après la réception du produit retourné, à la réparation de l'appareil ou du composant défaillant à titre gratuit.

Si, à la seule discrétion de Vitamix, l'appareil ou le composant défaillant ne peut pas être réparé, Vitamix décidera soit (A) de remplacer l'appareil à titre gratuit ou (B) de rembourser le prix d'achat total au propriétaire, à moins que Vitamix reçoive un préavis écrit indiquant la préférence du propriétaire.

4. CE QUI N'EST PAS COUVERT.

Cette garantie ne s'applique pas aux appareils qui ont été utilisés pour des applications commerciales ou autres que domestiques. Cette garantie ne couvre pas les changements cosmétiques qui n'affectent pas les performances, comme la décoloration ou les effets de l'utilisation d'abrasifs ou de nettoyeurs ou les accumulations d'aliments. Cette garantie n'est valable que si l'appareil est utilisé et entretenu conformément aux instructions, aux avertissements et aux garanties contenues dans le guide d'utilisation.

Vitamix ne sera pas responsable du coût de réparations sous garantie non autorisées.

LA RÉPARATION, LE REMPLACEMENT OU LE REMBOURSEMENT DU PRIX D'ACHAT SONT LES RECOURS EXCLUSIFS DE L'ACHETEUR ET LA SEULE RESPONSABILITÉ DE VITAMIX EN VERTU DE CETTE GARANTIE. AUCUN EMPLOYÉ OU REPRÉSENTANT DE VITAMIX N'EST AUTORISÉ À ACCORDER UNE GARANTIE SUPPLÉMENTAIRE OU À APPORTER UNE MODIFICATION À CETTE GARANTIE POUVANT LIER VITAMIX. EN CONSÉQUENCE, L'ACHETEUR NE DOIT PAS SE FIER À TOUTE AUTRE DÉCLARATION FAITE PAR UN EMPLOYÉ OU UN REPRÉSENTANT DE VITAMIX. EN AUCUN CAS, QUE CE SOIT POUR DES RAISONS DE CONTRAT, D'INDEMNISATION, DE GARANTIE, DE RESPONSABILITÉ DÉLICTUELLE (Y COMPRIS LA NÉGLIGENCE), DE RESPONSABILITÉ STRICTE OU AUTRE, VITAMIX NE SERA RESPONSABLE DE DOMMAGES SPÉCIAUX, INDIRECTS, ACCESSOIRES OU CONSÉCUTIFS, Y COMPRIS, MAIS SANS S'Y LIMITER, LES PERTES DE PROFITS OU DE REVENUS.

Certaines provinces et certains territoires ne permettent pas de limites sur les garanties. Dans ces provinces et territoires, les limites ci-dessus peuvent ne pas s'appliquer à vous. Dans les pays autres que le Canada et les États-Unis, d'autres garanties peuvent s'appliquer.

GARANTIE

5. CE QUI ANNULE CETTE GARANTIE.

L'abus, l'utilisation inappropriée, la négligence, l'altération de l'appareil, l'exposition à des conditions anormales ou extrêmes, ou le fait de ne pas suivre les instructions de fonctionnement annulent cette garantie.

La garantie est aussi annulée si l'appareil ou tout composant de l'appareil est réparé par une personne autre qu'un réparateur Vitamix ou agréé par Vitamix ou si un composant de l'appareil visé par la présente garantie est utilisé en combinaison avec un socle-moteur ou un récipient qui n'est pas expressément autorisé par Vitamix.

6. COMMENT OBTENIR UNE AUTORISATION DE RETOUR EN VERTU DE CETTE GARANTIE.

Si l'appareil ou tout composant de l'appareil nécessite un entretien ou une réparation, veuillez appeler le service à la clientèle Vitamix au 1-800-848-2649 ou au 1-440-235-4840. Si votre produit n'a pas été enregistré auprès de Vitamix, vous devrez fournir une date d'achat et une preuve d'achat. Si le produit est couvert par la présente garantie, vous recevrez un numéro d'autorisation de retour, les instructions d'expédition les plus récentes et une étiquette de ramassage et de retour affranchie. Vitamix paiera les frais d'expédition normaux pour le retour de l'appareil ou d'un composant de l'appareil pour le service et la réparation couverts par la garantie, ainsi que l'expédition de retour du produit à votre adresse après la réparation ou le remplacement couverts par la garantie. L'acheteur est responsable des coûts pour les demandes d'expédition spéciales.

Au Canada et aux États-Unis, cette garantie est honorée directement par Vita-Mix^{MD} Corporation.

États-Unis

Vita-Mix^{MD} Corporation
8615 Usher Road
Cleveland, Ohio 44138-2199
1-800-848-2649
service@vitamix.com

Canada

Vita-Mix^{MD} Corporation
200-1701 Shepherd Street East
Windsor (Ontario) N8Y 4Y5
1-800-848-2649
service@vitamix.com

Vous serez réputé avoir accepté le produit retourné « tel quel » lors de la livraison, sauf si vous avisez Vitamix de tout problème, y compris les dommages en cours d'expédition, dans les 48 heures après la livraison.

INSTRUCTIONS INTERNATIONALES SPÉCIALES

Si un appareil a été acheté au Canada ou aux États-Unis, mais qu'il se trouve actuellement à l'extérieur du Canada ou des États-Unis, l'expédition ainsi que les taxes et les droits d'importation en découlant sont à la charge du propriétaire.

Appeler au +1-440-235-4840 ou envoyer un courriel à service@vitamix.com pour plus de détails.

CARACTÉRISTIQUES TECHNIQUES

Professional Series 200

Moteur :

≈ Moteur de puissance maximale de 2 hp

Caractéristiques électriques :

120 V, 50/60 Hz, 11,5 A

Muni d'un cordon à trois broches mis à la terre pour les É.-U.

Dimensions :

Hauteur : 20,3 po / 51,4 cm

Largeur : 8,8 po / 22,4 cm

Profondeur : 9 po / 22,9 cm

Le cas échéant :



Pour voir la gamme complète de produits Vitamix^{MD},
visitez vitamix.com.



Vita-Mix^{MD} Corporation
8615 Usher Road
Cleveland, OH 44138-2103, É.-U. .
1-800-848-2649 / 1-440-235-4840

vitamix.com

©2013 Vita-Mix^{MD} Corporation. Aucune partie de cette publication ne peut être reproduite ou transmise sous quelque forme ou par quelque moyen ou stockée dans une base de données ou un système d'extraction sans la permission écrite de Vita-Mix^{MD} Corporation.

Imprimé aux États-Unis

104044 2/13



PROFESSIONAL SERIES™

Manual del usuario

Lea y conserve estas instrucciones



Vita-Mix® Corporation
8615 Usher Road
Cleveland, OH 44138-2103 EE. UU.
1-800-848-2649 / 1-440-235-4840
vitamix.com

CONTENIDOS

Contenidos	50
Comencemos.....	51
Servicio Y Registro.....	52
Precauciones Importantes.....	53
Partes Y Características	55
Panel De Control	57
Acerca De Las Cuchillas.....	58
Bastón-Compactador	59
Cómo Utilizar El Bastón-Compactador.....	60
Claves Para La Regulación De Las Velocidades.....	61
Instrucciones De Funcionamiento.....	62
Cuidado Y Limpieza.....	64
Solución De Problemas	66
Garantía	67
Notas.....	69
Especificaciones.....	72

COMENCEMOS

¡Felicitaciones!

¡Está a punto de ver cuán rápido, fácil y delicioso puede ser comer saludable!

Por favor lea toda la información de seguridad, las advertencias y el material instructivo incluido en este cuadernillo antes de comenzar. Coloque su aparato Vitamix sobre una superficie seca y plana. Asegúrese de que el interruptor esté en *Off* (Apagado) y que el aparato se encuentre conectado a un tomacorriente con conexión a tierra. Luego siga las instrucciones de limpieza que figuran en la página 64 para que su aparato esté listo para su uso. Siempre limpie su aparato antes del primer uso.

SERVICIO Y REGISTRO

Servicio de Vitamix

Registre el número de modelo y el número de serie de su Vitamix en los espacios que se proporcionan más abajo para tenerlos como referencia en el futuro. Estos números se encuentran en la parte trasera de la base del motor.

Número de modelo _____

Número de serie _____

Fecha de compra _____

Comprado a _____

Antes de devolver este producto por cualquier motivo, inclusive la reparación, primero contacte al Servicio de Atención al Cliente de Vitamix al 1-800-848-2649 o 1-440-235-4840, comuníquese por correo electrónico a service@vitamix.com o contacte a su proveedor local.

Registro del producto

Si ha adquirido su aparato Vitamix® directamente de Vita-Mix® Corporation a través del sitio web de la compañía o a través del call center por teléfono, su producto fue registrado al momento de la compra y la garantía de su aparato Vitamix ya fue activada.

Si adquirió su aparato Vitamix de un distribuidor o proveedor internacional fuera de los Estados Unidos, Canadá, el Reino Unido o Irlanda, su producto está garantizado a través de ese distribuidor o proveedor internacional y no necesitará ser registrado ante Vita-Mix Corporation.

Su aparato no se encontrará registrado ante Vitamix si:

1. Lo compró a un proveedor en los Estados Unidos, Canadá, el Reino Unido o Irlanda
2. Lo compró en una base militar
3. Lo compró en un local minorista o mayorista
4. Recibió su aparato Vitamix como regalo
5. Usted no es el dueño original del aparato

Disfrute de un servicio más rápido y sencillo en el futuro dedicando hoy unos minutos al registro de su aparato Vitamix.

Elija una de estas formas simples para registrar su aparato:

1. En línea a través de vitamix.com/warranty
2. Por correo electrónico a través de service@vitamix.com
3. Por teléfono al 1-800-848-2649 o 1-440-235-4840, presione opción 2

Su garantía puede estar avalada por Vita-Mix® Corporation o por un proveedor autorizado.

Si no registra su aparato, esto no afectará su derecho a la garantía.

PRECAUCIONES IMPORTANTES



ADVERTENCIA: Para evitar el riesgo de una lesión seria al utilizar su licuadora Vitamix®, se deben tomar precauciones, entre las cuales se incluyen.

LEA TODAS LAS INSTRUCCIONES, PRECAUCIONES Y ADVERTENCIAS ANTES DE UTILIZAR LA LICUADORA.

1. Lea todas las instrucciones.
2. El aparato no está diseñado para ser usado por niños o cerca de ellos, por personas con capacidades físicas, sensoriales o mentales reducidas o por personas que carezcan de experiencia y conocimiento. La supervisión atenta es necesaria cuando los niños o personas discapacitadas utilizan el aparato o cuando este es utilizado cerca de ellos.
3. Para evitar una descarga eléctrica, no coloque la base de la licuadora en agua u otro líquido.
4. Desconecte el aparato del tomacorriente cuando la licuadora no se encuentre en uso, antes de colocar o quitar partes y antes de realizar la limpieza.
5. Evite el contacto con partes móviles.
6. No use ningún aparato con un cable o enchufe dañado, luego de que haya sufrido desperfectos o dejado de funcionar o se encuentre dañado en cualquier forma. Comuníquese con el Servicio de Atención al Cliente de Vitamix al 1-800-848-2649 o al 1-440-235-4840 o por correo electrónico a service@vitamix.com inmediatamente para solicitar la evaluación, reparación, reemplazo o arreglo eléctrico o mecánico. Si compró fuera de los Estados Unidos o Canadá, contacte a su proveedor local de Vitamix.
7. La alteración o modificación de cualquier parte de la base o el vaso de la licuadora, incluido el uso de cualquier parte que no se encuentre debidamente autorizada por Vitamix, puede causar un incendio, una descarga eléctrica o heridas.
8. El uso de accesorios que no se encuentren debidamente autorizados o hayan sido vendidos por Vitamix para el uso con la licuadora, incluyendo los frascos de conservas, pueden causar un incendio, descarga eléctrica o heridas.
9. No lo utilice al aire libre.
10. No permita que el cable cuelgue del borde de la mesa o mostrador.
11. No deje que el cable haga contacto con una superficie caliente, incluida la cocina.
12. Mantenga las manos y los utensilios lejos del vaso mientras realiza el licuado para reducir el riesgo de producir heridas severas a personas o dañar la licuadora. Se puede utilizar un raspador o espátula de goma, pero únicamente cuando la licuadora Vitamix no esté funcionando.
13. El bastón-compactador proporcionado debe ser utilizado solamente cuando la parte principal de la tapa se encuentra en su lugar.
14. Las cuchillas son filosas. Manipule o retire la cuchilla y el conjunto de cuchillas del vaso con extremo cuidado para evitar lesiones. Para reducir el riesgo de lesiones, nunca coloque un conjunto de cuchillas sobre la base del motor a menos que se encuentre montada en un vaso de Vitamix.
15. No deje objetos extraños, tales como cucharas, tenedores, cuchillos o el tapón de la tapa en el vaso ya que esto dañará las cuchillas y otros componentes cuando arranque el aparato, pudiendo causar lesiones.
16. Nunca intente usarlo con cuchillas dañadas.

PRECAUCIONES IMPORTANTES

17. Siempre utilice la licuadora con la tapa y el tapón de la tapa asegurados en su lugar. El tapón de la tapa deberá quitarse únicamente cuando agregue ingredientes y cuando utilice el bastón-compactador.
18. Cuando licúe líquidos o ingredientes calientes, tome precauciones; el spray o el vapor que escapa puede producir escaldaduras y quemaduras de otro tipo. No llene el vaso a su máxima capacidad. Siempre comience a procesar en la regulación de velocidad más baja, velocidad variable 1. Mantenga las manos y otras partes expuestas del cuerpo lejos de la abertura de la tapa para evitar posibles quemaduras.
19. Cuando haga mantecas de frutos secos o comidas a base de aceites, no procese por más de un minuto luego de que la mezcla comience a circular en el vaso. Si continúa procesando por períodos más largos puede causar un recalentamiento peligroso.

CONSERVE ESTAS INSTRUCCIONES

⚠ ADVERTENCIA		
	<p>Para evitar lesiones. Lea y comprenda el manual de instrucciones antes de utilizar este aparato.</p>	

INSTRUCCIONES IMPORTANTES PARA EL USO SEGURO

Este producto está diseñado para USO DOMÉSTICO ÚNICAMENTE, no para fines comerciales.

No deje de prestar atención a su licuadora Vitamix mientras la utiliza.

Cualquier reparación, servicio técnico o reemplazo de partes debe ser realizado por Vitamix o un representante de servicio técnico autorizado.

⚠ ADVERTENCIA	
	<p>Peligro de descarga eléctrica. Utilice únicamente un tomacorriente con conexión a tierra. NO retire la conexión a tierra. NO utilice un adaptador. NO utilice un cable de extensión. El incumplimiento de las instrucciones puede causar la muerte o una descarga eléctrica.</p>

NOTIFICACIÓN: EL INCUMPLIMIENTO DE CUALQUIERA DE LAS PRECAUCIONES E INSTRUCCIONES IMPORTANTES PARA EL USO SEGURO CONSTITUYE UN USO INDEBIDO DE SU LICUADORA VITAMIX QUE PUEDE ANULAR SU GARANTÍA Y CREAR EL RIESGO DE SUFRIR LESIONES SERIAS.

PARTES Y CARACTERÍSTICAS

Interruptor de Encendido/Apagado (On/Off): Siempre arranque el aparato con el interruptor de velocidad Alta (High)/Variable colocado en la posición Variable (⚡) y el dial de velocidad variable apuntando al 1. Presione el interruptor de Encendido/Apagado para dejarlo en la posición On (I) y comenzar a licuar. Presione el interruptor para dejarlo en la posición Off (O) para parar de licuar.

Interruptor de velocidad Alta/Variable: La opción Variable (⚡) le permite el uso del Dial de velocidad variable. High (Δ) se refiere a la velocidad más rápida disponible.

Dial de velocidad variable: El Dial de velocidad variable selecciona la velocidad de rotación de las cuchillas entre 1 y 10 (baja a alta).

Vaso: Las onzas, tazas, y milímetros están claramente marcados.

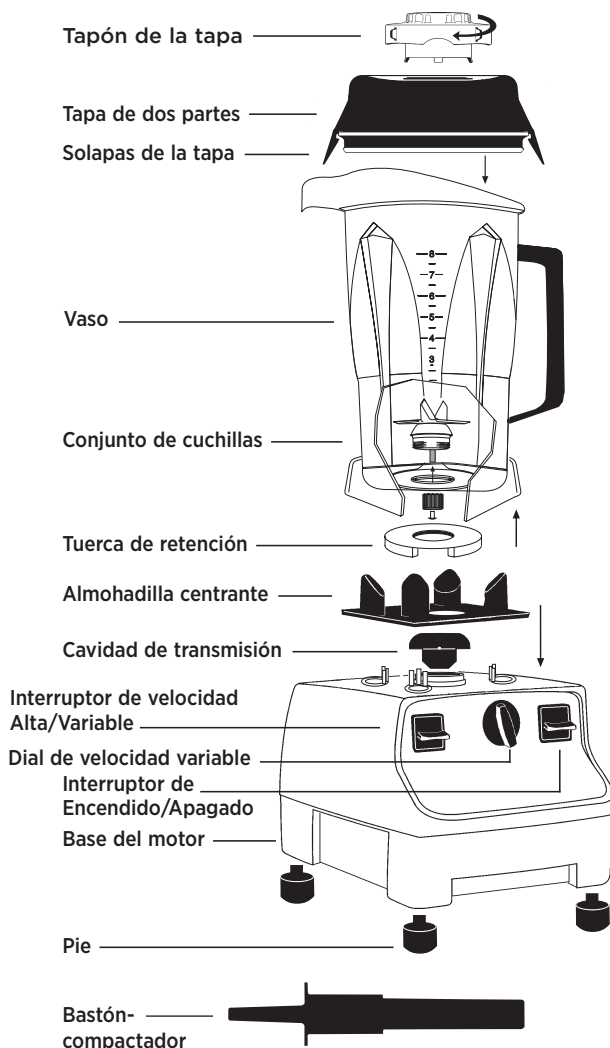
⚠ PRECAUCIÓN: Las tapas y los bastones-compactadores no son intercambiables entre los distintos estilos, tipos y tamaños de vasos.

Tapa de dos partes: La tapa de dos partes es fácil de colocar y quitar y de limpiar. Siempre utilice la tapa y el tapón de la tapa mientras licúa.

Cierre la tapa sobre el vaso y déjela en su lugar por unos minutos. Una vez que la tapa ha sido colocada sobre el vaso, será mucho más fácil para cerrar o quitar.

Tapón de la tapa: Insértelo a través de la tapa y asegúrelo girándolo en sentido de las agujas del reloj. Quite el tapón de la tapa a fin de utilizar el bastón-compactador o agregar ingredientes.

Bastón-compactador: El bastón-compactador le permite acelerar el procesamiento de mezclas muy espesas o congeladas que no pueden ser procesadas en una licuadora normal. Al utilizar el bastón-compactador, se mantiene la circulación, lo cual evita que se formen burbujas de aire durante el proceso de licuado.



PARTES Y CARACTERÍSTICAS

⚠ ADVERTENCIA



Las cuchillas rotatorias pueden ocasionar lesiones graves.
NO introduzca la mano en el vaso mientras el aparato esté funcionando.



Para cerrar la tapa correctamente: Coloque la tapa sobre el vaso con las solapas de la tapa a medio camino entre el pico y el mango. Presione la tapa sobre el vaso hasta que se cierre correctamente. La tapa debe estar siempre bien cerrada cuando esté procesando, especialmente líquidos calientes. **Nunca utilice la licuadora sin asegurarse de que la tapa esté cerrada de forma segura.**

Para retirar la tapa: Levante de una solapa de la tapa mientras esté sosteniendo el vaso de forma segura.

Para retirar el tapón de la tapa: Rote el tapón de la tapa en sentido contrario a las agujas del reloj desde la posición "locked" (cerrado) o "unlocked" (abierto) y retírelo.

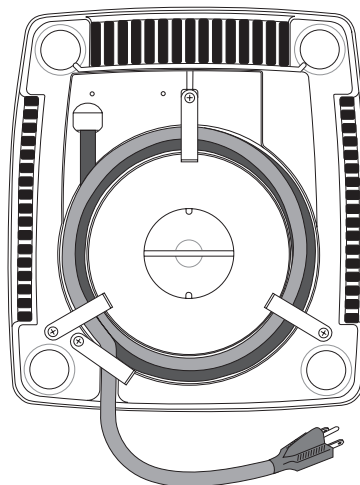
Protección automática contra sobrecargas: El motor de su Vitamix está diseñado para protegerse a sí mismo del recalentamiento. Si el motor se apaga, siga estas instrucciones:

Apague el interruptor por un período de hasta 45 minutos para reiniciar. El tiempo de reinicio se extenderá si la temperatura ambiente es alta. A fin de reducir el tiempo de reinicio, desconecte el aparato, retire el vaso e inyecte aire en la sección central del fondo con un secador de pelo en regulación fría.

Cable de alimentación: Su aparato está equipado con un cable de alimentación largo. Almacene la porción no utilizada en la parte inferior en forma prolija.

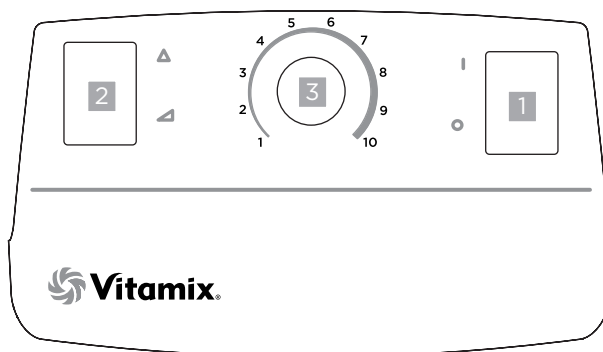
Vista desde abajo/Enroscado del cable: Los sujetadores plásticos para el cable lo sostienen en forma segura. No es necesario desajustar los sujetadores para el cable para que salga más. Son flexibles y vuelven a su posición luego de que se ha sacado cable.

Parte delantera



Parte trasera

PANEL DE CONTROL



- 1. Interruptor de Encendido/Apagado:** Presione hacia arriba para colocar en On (I). Presione hacia abajo para colocar en Off (O).
- 2. Interruptor de velocidad Alta/Variable:** High (Δ) se refiere a la velocidad más rápida disponible. Cambie a la opción Variable (◁) para activar las velocidades variables. **Siempre asegúrese de que el interruptor de velocidad Alta/Variable esté fijado en Variable (◁) antes de colocar el interruptor de Encendido/Apagado en la posición On (I).** No arranque su aparato en la velocidad (Δ) alta.
- 3. Dial de velocidad variable:** Permite seleccionar varias opciones de velocidad. Se encuentra activo únicamente cuando el interruptor de velocidad Alta/Variable se encuentra en la posición (◁) Variable.

ACERCA DE LAS CUCHILLAS

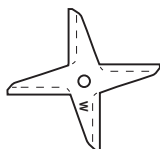
El aparato Vitamix viene de manera estándar con el vaso de cuchillas húmedas. La cuchilla se identifica con una "W", por wet (húmedo, en inglés). Esta cuchilla se utiliza para la mayoría de sus recetas. Los vasos adicionales con cuchillas húmedas o secas pueden comprarse por separado.

⚠ ADVERTENCIA

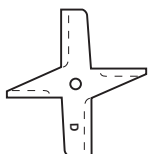


Las cuchillas rotatorias pueden ocasionar lesiones graves.

NO introduzca la mano en el vaso mientras el aparato esté funcionando.



Vaso de cuchillas húmedas: Diseñado para el procesamiento de líquidos, incluidos jugos, mezclas congeladas, salsas, sopas, purés, mantecas y para picado húmedo. Las cuchillas húmedas también pueden triturar granos y amasar, pero no son tan eficientes como las cuchillas secas en esta aplicación. Si las utiliza para molienda, su vaso se manchará y adquirirá un tono turbio; lea las instrucciones para el uso de un vaso seco.



Vaso de cuchillas secas: Estas cuchillas están marcadas claramente con la letra "D", por dry (seco, en inglés), y están diseñadas específicamente para moler materiales secos tales como granos, cereales y café, utilizándose también para amasar masa para pan. Las cuchillas secas **NO** pueden procesar líquidos de manera eficiente. ***Si muele hierbas de manera regular, tal vez desee comprar otro vaso de cuchillas secas.***

⚠ PRECAUCIÓN



Las partes móviles pueden calentarse debido al uso prolongado.

NO toque.



BASTÓN-COMPACTADOR

⚠ PRECAUCIÓN



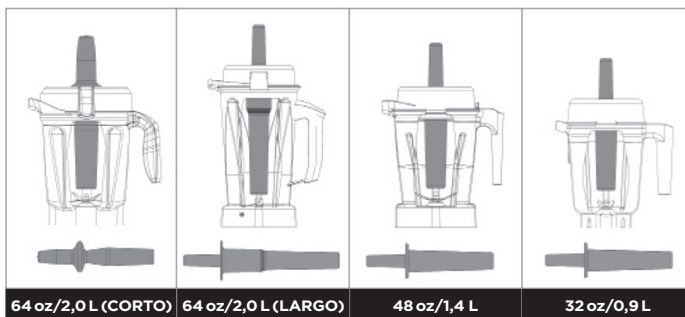
Las cuchillas rotatorias pueden causar daño.

Las tapas y los bastones-compactadores no son intercambiables entre los diferentes estilos, tipos y tamaños de vasos. Utilice el bastón-compactador que fue proporcionado con su aparato.

Cómo determinar el bastón-compactador que puede ser utilizado con su vaso

Cada tipo de bastón-compactador está diseñado para utilizarse de manera segura y efectiva con un vaso particular. **Si el vaso vino con un bastón-compactador, entonces este bastón es el correcto para él.** Si el bastón-compactador no viene junto con su vaso o quiere determinar si un bastón que ya tiene puede ser usado con su nuevo vaso, compare su vaso con los vasos y los bastones-compactadores que se corresponden con la ilustración que se muestra abajo.

Antes de utilizar el bastón-compactador durante el proceso de licuado, verifique que se trata del bastón correcto.



- Los vasos cortos de 2,0 L (64 oz) utilizan el bastón-compactador P/N 016041 que mide aproximadamente 9-3/4 pulgadas de largo.
- Los vasos altos de 2,0 L (64 oz) utilizan el bastón-compactador P/N 000760 que mide aproximadamente 12-1/2 pulgadas de largo.
- Los vasos de 0,9 L (32 oz) y 1,4 L (48 oz) utilizan el bastón-compactador P/N 015033 que mide aproximadamente 11 pulgadas de largo.

Para verificar que usted está utilizando el bastón-compactador correcto, coloque la tapa sobre un vaso vacío, retire el tapón e inserte el bastón-compactador. Si es el bastón-compactador correcto, debería encajar fácilmente en la abertura pero sin entrar en contacto con las cuchillas sin importar cómo usted lo mueva dentro del vaso. **SI EL BASTÓN-COMPACTADOR TOCA LAS CUCHILLAS EN CUALQUIER ÁNGULO, NO UTILICE ESE BASTÓN CON SU VASO.**

Si no posee el bastón-compactador correcto para su vaso, comuníquese con el Servicio de Atención al Cliente de Vitamix al 1-800-848-2649 o 1-440-235-4840 o comuníquese por correo electrónico a service@vitamix.com para ordenar un nuevo bastón. Si compró fuera de los Estados Unidos o Canadá, contacte a su distribuidor Vitamix local.

CÓMO UTILIZAR EL BASTÓN-COMPACTADOR

⚠ ADVERTENCIA



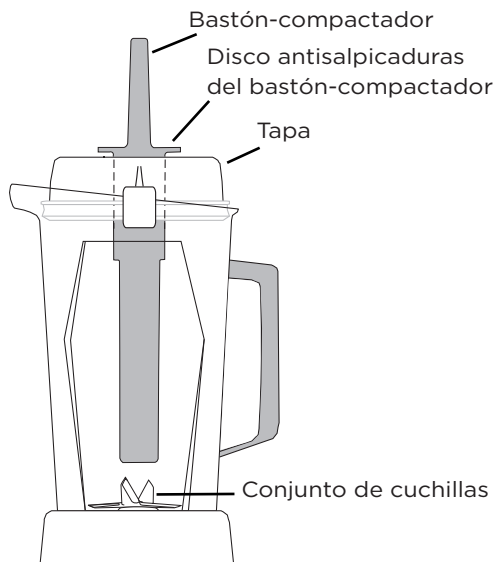
Las cuchillas rotatorias pueden ocasionar lesiones graves.

- **NO** coloque las manos, espátulas, etc. en el vaso mientras el aparato se encuentra en funcionamiento o mientras el vaso se encuentre sobre la base.
- Las tapas y los bastones-compactadores no son intercambiables entre los diferentes estilos, tipos y tamaños de vasos. Utilice el bastón-compactador que fue proporcionado con su aparato.



IMPORTANTE:

- El disco antisalpicaduras (cerca del tope del bastón) y la tapa evitan que el bastón choque contra las cuchillas cuando la tapa está cerrada correctamente en la posición de bloqueo.
- El vaso no debería estar más de dos tercios lleno cuando se utiliza el bastón-compactador durante el proceso de licuado.
- Para evitar el recalentamiento durante el proceso de licuado, **NO** utilice el bastón-compactador por más de 30 segundos consecutivos.
- Si la comida no circula, el aparato puede haber atrapado una burbuja de aire. Retire con cuidado el tapón de la tapa, al tiempo que se asegura que la tapa se encuentra firme en su lugar. Libere la burbuja de aire insertando el bastón-compactador a través de la abertura del tapón de la tapa.
- El sostener el bastón-compactador en posición vertical hacia abajo puede no ser de ayuda para que circulen los ingredientes. Si es necesario, apunte el bastón-compactador hacia los costados o esquinas del vaso. **NO INTENTE** forzar el bastón-compactador más adentro en el vaso.



CLAVES PARA LA REGULACIÓN DE LAS VELOCIDADES

Para minimizar las salpicaduras, siempre arranque con el interruptor de velocidad Alta/Variable en la posición Variable (↙) y con el centro del Dial de velocidad variable apuntando al 1. No comience el proceso de licuado en Variable 10 o directamente en la configuración (Δ) Alta.

Active el aparato colocando el interruptor de Encendido/Apagado en On (I) y girando lentamente el Dial de velocidad variable a la velocidad deseada según la receta utilizada. Si una receta requiere ser procesada en velocidad Alta (Δ), rote lentamente el Dial de velocidad variable a 10 y luego presione hacia arriba el interruptor de velocidad Alta/Variable hasta la posición High (Δ).

Procese en la regulación de velocidad alta (Δ) por el máximo tiempo de procesamiento posible para hacer jugos naturales, sopas, batidos, mezclas congeladas, purés, mantecas de frutos secos y para moler granos. Los tiempos de procesamiento generalmente serán de menos de un minuto (la mayoría dura menos de 30 segundos). La velocidad Alta (Δ) brinda la mejor calidad de refinamiento, triturando hielo, frutas congeladas, frutas o verduras enteras y granos para lograr una consistencia sin grumos.

CONSEJO: Licuar durante una gran cantidad de tiempo en una velocidad demasiado baja recalentará el aparato y provocará que la protección automática contra sobrecargas lo apague. Utilice la velocidad Alta (Δ) tan a menudo como sea posible para lograr la consistencia más uniforme. El licuado en velocidad Alta (Δ) también maximiza el uso del ventilador de refrigeración del motor para evitar el recalentamiento.

Cuando el aparato se encuentra en velocidad Alta (Δ), si la comida no circula, la máquina puede estar sobrecargada de comida o una burbuja de aire puede haber quedado atrapada. Retire con cuidado el tapón de la tapa, al tiempo que se asegura que la tapa se encuentra firme en su lugar. Libere la burbuja de aire insertando el bastón-compactador a través de la abertura del tapón de la tapa. Si los problemas de circulación continúan, reduzca la velocidad del aparato. Una velocidad más baja puede permitir la circulación de comida cuando una velocidad más alta no lo hace. Una vez que la comida esté circulando libremente, incremente la velocidad de nuevo a Alta (Δ) y continúe procesando.

⚠ PRECAUCIÓN



Nunca arranque en velocidades superiores a 1 con líquidos calientes para evitar posibles quemaduras.

Las salpicaduras o el escape de vapor o de contenidos pueden producir escaldaduras. Para asegurar los contenidos, asegure la tapa y ajuste el tapón en su lugar antes de utilizar el aparato. Siempre arranque en Variable 1 y aumente lentamente hasta 10.





INSTRUCCIONES DE FUNCIONAMIENTO

Vaso de cuchillas húmedas

Diseñado para el procesamiento de líquidos, incluidos jugos, mezclas congeladas, salsas, sopas, purés, mantecas y para picado húmedo.

1. Asegúrese de que el Dial de velocidad variable se encuentre configurado en 1.
2. Cargue el vaso antes de ubicarlo sobre la base del motor. Coloque los líquidos y las comidas blandas en el vaso primero, los artículos sólidos y el hielo en último lugar. A pesar de no ser necesario para licuar, tal vez desee cortar o partir los alimentos en pedazos más pequeños para lograr una medición más precisa de los ingredientes.
3. Asegure de forma efectiva la tapa de dos partes. Siempre utilice la tapa de dos partes completa cuando licúe (a menos que el bastón-compactador se inserte a través de la abertura del tapón de la tapa). En particular, cuando licúe ingredientes calientes, asegúrese de que la tapa esté cerrada con el pestillo de forma segura.
4. Con el motor apagado, fije el vaso de cuchillas húmedas sobre la base del motor alineándolo sobre la almohadilla centrante. No intente colocar el vaso sobre una base de motor en funcionamiento o encender una base de motor sin un vaso adecuadamente colocado en su lugar.
5. Siempre arranque con el interruptor de velocidad Alta/Variable en la posición Variable (\triangleleft) y con el centro del Dial de velocidad variable apuntando al 1. **No comience el proceso de licuado en Variable 10 o directamente en la configuración (Δ) Alta.** Active el aparato colocando el interruptor de Encendido/Apagado en On (I) y girando lentamente el Dial de velocidad variable hasta la velocidad deseada según la receta utilizada. Si una receta requiere ser procesada en velocidad Alta (Δ), rote lentamente el Dial de velocidad variable a 10 y luego presione hacia arriba el interruptor de velocidad Alta/Variable hasta la posición High (Δ).
6. **Tome las precauciones adecuadas cuando manipule y procese ingredientes calientes y cuando haga sopas y salsas calientes.**

⚠ PRECAUCIÓN		
	<p>Nunca arranque en velocidades superiores a 1 con líquidos calientes para evitar posibles quemaduras.</p> <p>Las salpicaduras o el escape de vapor o de contenidos pueden producir escaldaduras. Para asegurar los contenidos, asegure la tapa y ajuste el tapón en su lugar antes de utilizar el aparato.</p> <p>Siempre arranque en Variable 1 y aumente lentamente hasta 10.</p>	

7. Debido a la velocidad del aparato, los tiempos de procesamiento son mucho más rápidos que con los electrodomésticos estándar. Hasta tanto no se haya acostumbrado al aparato, controle el tiempo cuidadosamente para evitar el sobreprocesamiento.
8. Luego de apagar el aparato, espere hasta que las cuchillas estén completamente detenidas antes de retirar la tapa o el vaso de la base del motor.

INSTRUCCIONES DE FUNCIONAMIENTO

Vaso de cuchillas secas

Si ha sido comprado, su vaso de cuchillas secas debería ser usado únicamente para materiales duros y secos, como los granos, y para amasar.

1. Asegúrese de que el Dial de velocidad variable se encuentre configurado en 1.
2. Asegure de forma efectiva la tapa de dos partes. Siempre utilice la tapa de dos partes completa cuando licúe (a menos que el bastón-compactador se inserte a través de la abertura del tapón de la tapa).
3. Con el motor apagado, fije el vaso de cuchillas secas sobre la base del motor alineándolo sobre la almohadilla centrante. No intente colocar el vaso sobre una base de motor en funcionamiento o encender una base de motor sin un vaso adecuadamente colocado en su lugar.
4. Siempre arranque con el interruptor de velocidad Alta/Variable en la posición Variable (\triangleleft) y con el centro del Dial de velocidad variable apuntando al 1. **No comience el proceso de licuado en Variable 10 o directamente en la configuración (Δ) Alta.** Active el aparato colocando el interruptor de Encendido/ Apagado en On (I) y girando lentamente el Dial de velocidad variable hasta la velocidad deseada según la receta utilizada. Si una receta requiere ser procesada en velocidad Alta (Δ), rote lentamente el Dial de velocidad variable hasta 10 y luego presione hacia arriba el interruptor de velocidad Alta/Variable hasta la posición High (Δ).
5. Luego de apagar el aparato, espere hasta que las cuchillas estén completamente detenidas antes de retirar la tapa o el vaso de la base del motor.
6. Debido a la velocidad del aparato y a los tiempos de procesamiento que algunas veces son de corta duración, controle el tiempo cuidadosamente para evitar el sobreprocesamiento.
7. Moler material seco durante más de dos minutos podría dañar su aparato. El uso regular puede producir daños estéticos en el vaso y hacer que las cuchillas se desafilen con el tiempo.
8. La molienda de algunas hierbas puede liberar aceites, haciendo que el vaso se descolore de forma permanente. Otras tienen olores fuertes que pueden permanecer en el vaso, afectando el sabor de otras comidas. La molienda de algunas hierbas y especias también puede ocasionar que la cuchilla se desafile con el tiempo o que el vaso se raje.

CUIDADO Y LIMPIEZA

Vaso

Para preparar su nuevo aparato para el uso inicial, siga los pasos en la sección Limpieza normal a continuación. Esto limpiará la unidad y asentará el motor.

Limpieza normal:

1. Llene el vaso por la mitad con agua tibia y agregue un par de gotas de detergente líquido para lavar platos al vaso.
2. Cierre o empuje la tapa de dos partes completa a la posición de bloqueo.
3. Seleccione la velocidad variable 1. Encienda el aparato y aumente lentamente la velocidad hasta la velocidad variable 10, y luego hasta Alta.
4. Ponga en funcionamiento el aparato a velocidad Alta por 30 a 60 segundos.
5. Apague el aparato, y enjuague y drene el vaso.

Para desinfectar:

1. Siga las instrucciones de Limpieza normal indicadas arriba.
2. Llene el vaso por la mitad con agua y una cucharada y media (para té) de lavandina líquida.
3. Cierre o empuje la tapa de dos partes completa a la posición de bloqueo.
4. Seleccione la velocidad variable 1. Encienda el aparato y aumente lentamente la velocidad hasta la velocidad variable 10, y luego hasta Alta.
5. Ponga en funcionamiento el aparato a velocidad Alta por 30 a 60 segundos.
6. Apague el aparato y deje que la mezcla permanezca en el vaso por un tiempo adicional de un minuto y medio.
7. Vierta la mezcla de lavandina fuera. Deje que el vaso se ventile para secarse.
8. No enjuague luego de desinfectar.

Tapa, tapón de tapa y bastón-compactador

Separe la tapa y el tapón de la tapa. Lave las partes en agua tibia enjabonada. Enjuague bajo el agua corriente y luego seque. Volver a armar antes de usar.

IMPORTANTE: A fin de asegurar un desempeño continuado y efectivo, no coloque el vaso, la tapa, el tapón de la tapa o el bastón-compactador en el lavaplatos.

CUIDADO Y LIMPIEZA

Base del motor:

1. Desconecte el cable de alimentación.

⚠ ADVERTENCIA		
	<p>Peligro de descarga eléctrica. Desconectar la energía antes de limpiar el aparato.</p> <p>El incumplimiento de las instrucciones puede causar la muerte o una descarga eléctrica.</p>	

2. Limpie la superficie externa con un paño, o esponja, suave y húmedo, previamente enjuagado en una solución suave de detergente líquido y agua tibia. No coloque la base del motor en agua.
3. La almohadilla centrante puede retirarse para una limpieza más profunda.
4. Limpie a fondo los interruptores para que puedan funcionar sin problemas. Pueden tornarse pegajosos por el uso. Humedezca un hisopo de algodón con un desengrasante o limpiador doméstico y limpie las ranuras alrededor de los interruptores. Seque inmediatamente todas las superficies.
5. Lustre con un paño suave.

SOLUCIÓN DE PROBLEMAS

Protección automática contra sobrecargas

Su aparato Vitamix está equipado con una característica especial: Protección automática contra sobrecargas. Esta característica incorporada está diseñada para proteger el motor y evitar que su aparato se sobrecaliente. Esto se traduce en tranquilidad para usted como dueño de una Vitamix. Cuando se activa, esta protección automática contra sobrecargas producirá que el motor se apague y que emita, posiblemente, un olor suave.

Si su protección automática contra sobrecargas alguna vez se activa, remítase a la página 8 de este manual para reiniciar su aparato fácilmente.

Consejos para prevenir la "sobrecarga" de su aparato Vitamix:

- Procese únicamente las recetas de Vitamix cuando aprenda a usar su aparato
- No procese las recetas a velocidades inferiores a las recomendadas
- No procese las recetas a velocidades superiores a las recomendadas
- No procese las recetas por más tiempo del recomendado
- Use su bastón-compactador para procesar mezclas más espesas y mantener los ingredientes en movimiento alrededor y a través de las cuchillas

Aflojar la tuerca de retención

En el caso de que la tuerca de retención en el fondo de su vaso se afloje y ya no mantenga en forma segura el conjunto de cuchillas en su lugar, **NO CONTINÚE USANDO EL VASO**. Comuníquese con el Servicio de Atención al Cliente de Vitamix al 1-800-848-2649 o 1-440-235-4840 o con su proveedor local de forma inmediata para obtener instrucciones.

GARANTÍA

Garantía completa del aparato por siete años

1. REGISTRO DEL PRODUCTO.

Vita-Mix® Corporation (“Vitamix”) recomienda que registre su compra completando y devolviendo la tarjeta de registro del producto que vino con este aparato. Puede registrarlo en línea en www.vitamix.com/warranty; o comunicándose con nuestro Departamento de Atención al Cliente al 1-800-848-2649 o 1-440-235-4840.

Si no registra su aparato, esto no afectará su derecho a la garantía. Sin embargo, el registro de su compra permitirá que Vitamix le brinde un mejor servicio con respecto a cualquiera de sus necesidades como cliente.

2. QUIÉN PUEDE RECLAMAR LA GARANTÍA.

Esta garantía es extendida por Vitamix al dueño de este aparato para uso doméstico y personal únicamente.

Esta garantía no se aplica a productos usados para fines comerciales, de alquiler o de reventa. En caso de que la propiedad del aparato cambie durante el período de siete años, por favor actualice la información del dueño del aparato en www.vitamix.com/warranty.

3. ALCANCE DE LA GARANTÍA.

Vitamix garantiza al dueño que si este aparato (*un “aparato” consiste en una base de motor de licuadora y cualquier vaso que se compre conjuntamente*) funciona de manera defectuosa dentro de los siete años a partir de la fecha de compra debido a un defecto en el material o en la fabricación o como resultado del desgaste normal ocasionado por el uso doméstico regular, Vitamix reparará, dentro de los 30 días de la recepción del producto devuelto, el aparato o su componente defectuoso sin cargo.

Si, a criterio de Vitamix, el aparato o componente defectuoso no puede repararse, Vitamix podrá optar entre (A) reemplazar el aparato sin cargo o (B) reembolsar el monto total del precio de compra al dueño, salvo que Vitamix reciba previamente una notificación escrita que exprese la preferencia del cliente.

4. NO ALCANZADO POR LA GARANTÍA.

Esta garantía no se aplica a los aparatos que han sido utilizados comercialmente o para fines de carácter no doméstico. Esta garantía no cubre los cambios estéticos que no afecten el desempeño, como la decoloración, los efectos resultantes del uso de abrasivos o limpiadores o la acumulación de alimentos. Esta garantía es válida únicamente si el aparato es usado y mantenido de acuerdo con las instrucciones, advertencias y precauciones establecidas en el manual del usuario.

Vitamix no será responsable por el costo de ninguna reparación de garantía no autorizada.

LA REPARACIÓN, EL REEMPLAZO O EL REEMBOLSO DEL PRECIO DE COMPRA SON LAS SOLUCIONES EXCLUSIVAS PARA EL COMPRADOR Y LA ÚNICA RESPONSABILIDAD DE VITAMIX SEGÚN ESTA GARANTÍA. NINGÚN EMPLEADO O REPRESENTANTE DE VITAMIX ESTÁ AUTORIZADO PARA PROPORCIONAR CUALQUIER GARANTÍA ADICIONAL NI REALIZAR NINGUNA MODIFICACIÓN A ESTA GARANTÍA QUE PUEDA SER VINCULANTE PARA VITAMIX. EN CONSECUENCIA, EL COMPRADOR NO DEBE FIARSE DE NINGUNA DECLARACIÓN ADICIONAL HECHA POR EMPLEADOS O REPRESENTANTES DE VITAMIX. EN NINGÚN CASO, YA SEA A RAÍZ DE UN CONTRATO, UNA INDEMNIZACIÓN, UNA GARANTÍA, UN DERECHO DE DAÑOS (INCLUIDA LA NEGLIGENCIA), UNA RESPONSABILIDAD OBJETIVA U OTRO MOTIVO, VITAMIX SERÁ RESPONSABLE POR NINGÚN DAÑO ESPECIAL, INDIRECTO, INCIDENTAL O MEDIATO, INCLUYENDO, PERO SIN LIMITARSE A ELLO, AL LUCRO CESANTE O LA PÉRDIDA DE INGRESOS.

Algunos estados no permiten que las garantías sean limitadas. En dichos estados, las limitaciones arriba mencionadas no se aplicarán. Fuera de los Estados Unidos y Canadá, se pueden aplicar otras garantías.

GARANTÍA

5. CAUSAS DE ANULACIÓN DE ESTA GARANTÍA.

El abuso, uso indebido o negligente la alteración del aparato, la exposición a condiciones anormales o extremas o el incumplimiento de las instrucciones de funcionamiento anularán esta garantía.

La garantía también es nula si el aparato o cualquier componente son reparados por otros que no sean Vitamix o un proveedor de servicios autorizado por Vitamix o si cualquier componente de un aparato alcanzado por esta garantía es utilizado junto con una base de motor o vaso que no estén expresamente autorizados por Vitamix.

6. CÓMO OBTENER UNA AUTORIZACIÓN DE DEVOLUCIÓN BAJO ESTA GARANTÍA.

En caso de que el aparato o cualquier componente de él necesiten servicio técnico o reparación, por favor comuníquese con el Servicio de Atención al Cliente al 1-800-848-2649 o 1-440-235-4840. Se le requerirá que proporcione una fecha de compra y comprobante de compra de cualquier producto que no haya sido registrado ante Vitamix. Para productos alcanzados por esta garantía, se le brindará un número de autorización de devolución, instrucciones de envío actualizadas y una etiqueta de retiro de devolución prepaga. Vitamix pagará los costos estándares de envío por la devolución de un aparato o componente para el servicio técnico y reparación en virtud de la garantía y por el envío del producto a usted luego de la reparación o reemplazo en virtud de la garantía. El comprador es responsable por los costos de pedidos de envío especiales.

Dentro de los Estados Unidos y Canadá, esta garantía se hace efectiva directamente a través de Vita-Mix® Corporation.

Estados Unidos

Vita-Mix® Corporation
8615 Usher Road
Cleveland, Ohio 44138-2199
1-800-848-2649
service@vitamix.com

Canadá

Vita-Mix® Corporation
200-1701 Shepherd Street East
Windsor, Ontario N8Y 4Y5
1-800-848-2649
service@vitamix.com

Se considerará que ha aceptado el producto devuelto "en el estado en que se encuentra" al momento de la entrega, salvo que notifique a Vitamix de algún problema, incluido el daño ocasionado durante envío, dentro de las 48 horas de la entrega.

INSTRUCCIONES INTERNACIONALES ESPECIALES

Si un aparato ha sido adquirido dentro de los Estados Unidos o Canadá, pero se encuentra actualmente fuera de dichos países, todos los impuestos y cargos de envío o resultantes por cualquier concepto quedan a cargo del dueño. Comuníquese al teléfono +1-440-235-4840 o por correo electrónico a service@vitamix.com para obtener más detalles.

ESPECIFICACIONES

Professional Series 200

Motor:

Motor de ≈2 caballos de potencia máxima

Especificaciones eléctricas:

120 V, 50/60 Hz, 11,5 A

Utiliza un cable con conexión a tierra de tres clavijas para los Estados Unidos.

Dimensiones:

Altura: 20,3 in/51,4 cm

Ancho: 8,8 in/22,4 cm

Profundidad: 9,0 in/22,9 cm

Cuando corresponda:



Para ver la línea completa de los productos Vitamix®,
visit vitamix.com.



Vita-Mix® Corporation
8615 Usher Road
Cleveland, OH 44138-2103 EE. UU.
1-800-848-2649 / 1-440-235-4840

vitamix.com

©2013 Vita-Mix® Corporation. Ninguna parte de esta publicación puede ser reproducida o transmitida de ninguna manera ni por ningún medio, ni almacenada en una base de datos o sistema de recuperación sin la autorización escrita de Vita-Mix® Corporation.