



CERTIFIED RECONDITIONED -
STANDARD

Owner's Manual

Read and save these instructions



Vita-Mix® Corporation
8615 Usher Road
Cleveland, OH 44138-2103 U.S.A.
1.800.848.2649 / 1.440.235.4840
vitamix.com

*** Product image may differ slightly from
your configuration**

CONTENTS

Contents	2
Let's Get Started	3
Service and Registration.....	4
Important Safeguards	5
Symbols	7
Parts and Features	8
Control Panel.....	10
About the Blades.....	11
Tamper.....	12
How to Use the Tamper.....	13
Hints for Setting Speeds.....	14
Operating Instructions.....	15
Care and Cleaning	17
Troubleshooting	18
Warranty	19
Notes.....	22
Specifications	24

LET'S GET STARTED

Congratulations!

You are about to see how quick, easy, and delicious healthy eating can be!

Please read all the safety information, warnings, and instructional material found in this booklet before getting started. Set your Vitamix machine on a dry, level surface. Make sure that the power switch is set to Off, and that the machine is plugged into a grounded electrical outlet. Then, follow the cleaning instructions on page 17 to prepare your machine for use. Always clean your machine before the first use.

SERVICE AND REGISTRATION

Vitamix Service

Record the model number and serial number of your Vitamix in the spaces provided below for future reference. These numbers can be found on the back of the motor base.

Model Number _____

Serial Number _____

Date of Purchase _____

Purchased From _____

Before returning this product for any reason, including repair, first contact Vitamix Customer Service at 1.800.848.2649 or 1.440.235.4840, email service@vitamix.com, or contact your local dealer.

Product Registration

If you purchased your Vitamix® machine directly from the Vita-Mix® Corporation via the company's website or call center by phone, your product was registered at the time of purchase and your Vitamix machine's warranty has been activated.

If you purchased your Vitamix machine from an International Distributor or Dealer in countries other than the United States, Canada, United Kingdom, or Ireland, your product is warranted through the International Distributor or Dealer and need not be registered with the Vita-Mix Corporation.

Your machine is not yet registered with Vitamix if you:

1. Purchased from a Dealer in the United States, Canada, United Kingdom, or Ireland
2. Purchased from a military base
3. Purchased from a retail or wholesale store
4. Received your Vitamix machine as a gift
5. Are not the original owner of the machine

Enjoy faster and easier service in the future by taking a few minutes to register your Vitamix machine today.

Choose one of these easy ways to register your machine:

1. Online at vitamix.com/warranty
2. Email service@vitamix.com
3. Call 1.800.848.2649 or 1.440.235.4840, press option 2

Your warranty may be honored by Vita-Mix® Corporation or an authorized dealer.

Failure to register your machine will not diminish your warranty rights.

IMPORTANT SAFEGUARDS



WARNING: To avoid the risk of serious injury when using your Vitamix® blender, basic safety precautions should be followed, including the following.



READ ALL INSTRUCTIONS, SAFEGUARDS, AND WARNINGS BEFORE OPERATING BLENDER.

1. Read all instructions.
2. Not intended for use by or near children or persons with reduced physical, sensory, or mental capabilities or lack of experience and knowledge. Close supervision is necessary when any appliance is used by or near children or incapacitated persons.
3. To protect against the risk of electrical shock, do not put the blender base in water or other liquid.
4. Unplug from outlet when not in use, before putting on or taking off parts, and before cleaning.
5. Avoid contacting moving parts.
6. Do not operate any appliance with a damaged cord or plug or after the appliance malfunctions, or is dropped or damaged in any manner. Call Vitamix Customer Service at 1.800.848.2649 or 1.440.235.4840 or email service@vitamix.com at once for examination, repair, replacement, or electrical or mechanical adjustment. If purchased outside the U.S.A. or Canada, contact your local Vitamix dealer.
7. Alteration or modification of any part of the blender base or container, including the use of any part or parts that are not genuine authorized Vitamix parts, may cause fire, electric shock, or injury.
8. The use of attachments not expressly authorized or sold by Vitamix for use with this blender, including canning jars, may cause fire, electric shock, or injury.
9. Do not use outdoors.
10. Do not let cord hang over edge of table or counter.
11. Do not let cord contact hot surface, including the stove.
12. Keep hands and utensils out of container while blending to reduce the risk of severe injury to persons or damage to the blender. A rubber scraper or spatula may be used, but only when the Vitamix blender is not running.
13. The tamper provided must be used only when the main part of the lid is in place.

IMPORTANT SAFEGUARDS

14. Blades are sharp. Handle or remove blade and blade assembly from the container with extreme care to avoid injury. To reduce the risk of injury, never place a blade assembly on the motor base unless assembled to the Vitamix container.
15. Do not leave foreign objects, such as spoons, forks, knives or the lid plug, in the container as this will damage the blades and other components when starting the machine and may cause injury.
16. Never attempt to operate with damaged blades.
17. Always operate blender with lid and lid plug firmly in place. The lid plug should be removed only when adding ingredients and when using the tamper.
18. When blending hot liquids or ingredients, use caution; spray or escaping steam may cause scalding and burns. Do not fill container to the maximum capacity. Always begin processing on the lowest speed setting. Keep hands and other exposed skin away from the lid opening to prevent possible burns.
19. When making nut butters or oil-based foods, do not process for more than one minute after the mixture starts to circulate in the container. Processing for longer periods can cause dangerous overheating.

SAVE THESE INSTRUCTIONS

 WARNING		
	<p>To Avoid Injury. Read and understand instruction manual before using this machine.</p>	

IMPORTANT INSTRUCTIONS FOR SAFE USE

This product is intended for HOUSEHOLD USE ONLY and is not intended to be used for commercial purposes.

Do not leave your Vitamix blender unattended when operating.

Any repair, servicing, or the replacement of parts must be performed by Vitamix or an authorized service representative.

IMPORTANT SAFEGUARDS

⚠ WARNING



Electrical Shock Hazard.

Use grounded outlet only.

DO NOT remove ground.

DO NOT use an adapter.

DO NOT use an extension cord.

Failure to follow instructions can cause death or electrical shock.

NOTICE: THE FAILURE TO FOLLOW ANY OF THE IMPORTANT SAFEGUARDS AND THE IMPORTANT INSTRUCTIONS FOR SAFE USE IS A MISUSE OF YOUR VITAMIX BLENDER THAT CAN VOID YOUR WARRANTY AND CREATE THE RISK OF SERIOUS INJURY.

SYMBOLS



Caution



Never touch moving parts.
Keep hands and utensils
out of container.



Electrical shock hazard



Operate with lid and lid
plug in place



High temperature when
blending hot liquids.



Read and understand
owner's manual



Do not insert items into
container while blender
is in use

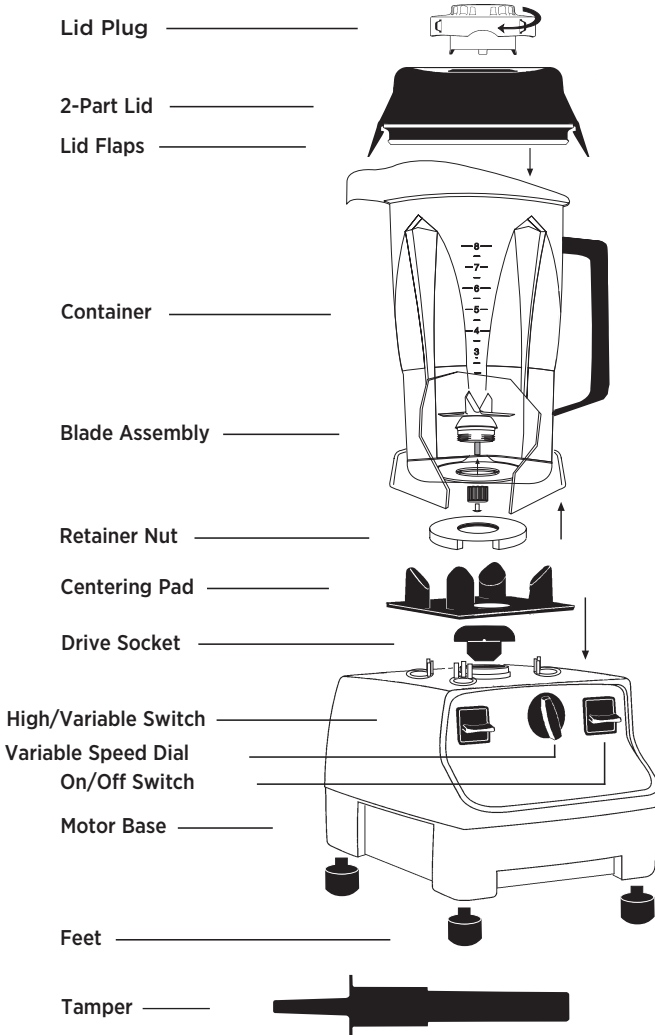


Do not immerse



Unplug while not in
use, before cleaning,
changing accessories or
approaching parts that
move in use

PARTS AND FEATURES



* Product image may differ slightly from your configuration

On/Off Switch: Always start the machine with the High/Variable switch in the Variable (\triangleleft) position and the Variable Speed Dial pointed to 1. Lift the On/Off Switch to the On position (I) to begin blending. Press the switch to the Off position (O) to stop blending.

High/Variable Switch: Variable (\triangleleft) allows use of the Variable Speed Dial. High (\triangle) is the fastest speed available.

PARTS AND FEATURES

⚠ WARNING



Rotating Blades Can Cause Severe Injury.

DO NOT reach into container while machine is running.



Variable Speed Dial: The Variable Speed Dial selects blade rotation speeds from 1 to 10 (low to high).

Container: Ounces, cups, and milliliters are clearly marked.

⚠ CAUTION: Lids and tampers are not interchangeable between different container styles, types, and sizes.

2-part lid: The 2-part lid is easy to put on and take off and easy to clean. Always use the lid and the lid plug when the machine is in operation. Snap the lid onto the container and leave in place for a few minutes. Once the lid has been left on the container, it will be much easier to lock or remove.

Lid plug: Insert through the lid and secure by turning clockwise. Remove the lid plug to use the tamper or add ingredients.

Tamper: The tamper allows you to accelerate the process of very thick and/or frozen mixtures. Using the tamper maintains circulation by preventing air pockets from forming.

To lock the lid in place: Position the lid on container with lid flaps midway between the spout and the handle. Push the lid onto the container until it locks in place. The lid must always be secured when processing, especially hot liquids that may scald. Never operate the blender without checking to make sure the lid is securely locked in place.

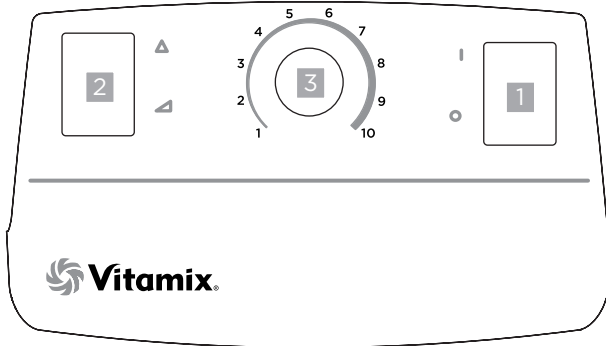
To remove the lid: Lift up on one lid flap while holding the container securely.

To remove the lid plug: Rotate the lid plug counterclockwise from the “locked” to “unlocked” position and lift out.

Power cord: Your machine is equipped with a long power cord. Store the unused portion neatly underneath.

Cord wrap: Plastic cord retainers hold the cord securely. They are flexible, and return to position after the cord is lifted out.

CONTROL PANEL



- 1. On/Off Switch:** Push up to turn On (I). Push down to turn Off (O).
- 2. High/Variable Switch:** High (Δ) is the fastest speed available. Switch to Variable (∇) to activate the variable speeds. **Always make sure that the High/Variable Switch is set to Variable (∇) before lifting the On/Off Switch to the On (I) position.** Do not start your machine on High (Δ) speed.
- 3. Variable Speed Dial:** Selects many speed settings. It is active only when the High/Variable Switch is set in the Variable (∇) position.

ABOUT THE BLADES

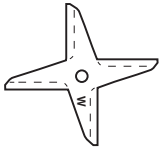
The Vitamix machine comes standard with the wet blade container. The blade is identified by a “W” for wet. This blade is used for most of your recipes. Additional containers with wet or dry blades may be purchased separately.

⚠ WARNING

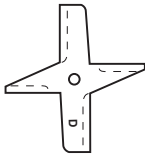


Rotating Blades Can Cause Severe Injury.

DO NOT reach into container while machine is running.



Wet Blade Container: Designed for processing liquids, including juice, frozen mixtures, sauces, soups, purees, batters, and for wet chopping. The wet blades can also grind grain and knead dough, but they are not quite as efficient as the dry blades in this application. If used for grinding, your container will mar and become cloudy; see instructions for dry container use.



Dry Blade Container: These blades are clearly marked “D” and are designed specifically for grinding dry materials such as grains, cereal, and coffee, and are also used for kneading bread dough. The dry blades can NOT process liquids efficiently. **If you grind herbs on a regular basis, you may wish to purchase a separate dry blade container and replace blades as needed.**

⚠ CAUTION



Moving Parts May Become Hot with Extended Use.

DO NOT touch.



TAMPER

⚠ CAUTION



Rotating Blades Can Cause Damage.

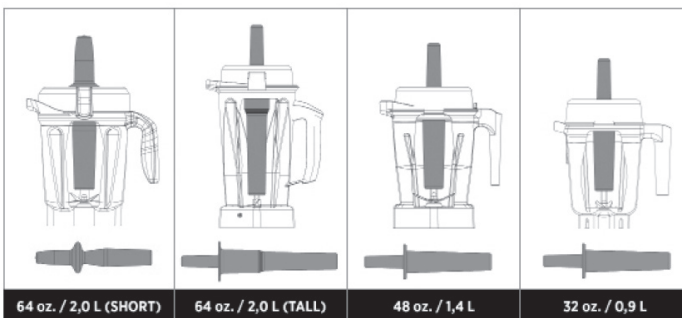
Lids and tampers are not interchangeable between different container styles, types, and sizes. Use the tamper that was supplied with your machine.

How to Determine the Tamper that Can Be Used with Your Container

Each type of tamper is designed for use with a particular container. **If a tamper came with your container, it is the correct tamper for use.** If a tamper did not come with your container, or if you want to determine if the tamper can be used with your container, please compare your container and tamper with the illustration below.

If you do not have the correct tamper for your container, call Vitamix Customer services at 1.800.848.2649 or 1.440.235.4840 or e-mail service@vitamix.com to order a new tamper.

To verify that you are using the correct tamper, place the lid on an empty container, remove the lid plug and insert the tamper. If it is the correct tamper, it should easily fit into the opening but will not come in contact with the blades no matter how you move the tamper inside the container. **IF THE TAMPER TOUCHES THE BLADES AT ANY ANGLE - DO NOT USE THE TAMPER WITH YOUR CONTAINER.**



- 64 oz. Short Containers use Tamper P/N 016041 that is approximately 9-3/4 inches long.
- 64 oz. Tall Containers uses Tamper P/N 000760 that is approximately 12-1/2 inches long.
- 32 oz. and 48 oz. Containers use Tamper P/N 015033 that is approximately 11 inches long.

HOW TO USE THE TAMPER

⚠ WARNING



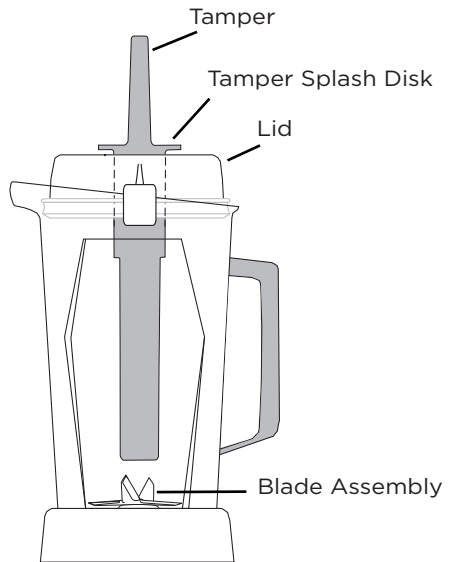
Rotating Blades Can Cause Severe Injury.

- **DO NOT** put hands, spatulas, etc. in the container while the machine is running or while the container is still on the base.
- Lids and tampers are not interchangeable between different container styles, types, and sizes. Use the tamper that was supplied with your machine.



IMPORTANT:

- The splash disk (near the top of the tamper) and lid prevent the tamper from hitting the blades when the lid is secured properly in the locked position.
- The container should not be more than two-thirds full when the tamper is used during blending.
- To avoid overheating during blending, **DO NOT** use the tamper for more than 30 consecutive seconds.



- If the food does not circulate, the machine may have trapped an air bubble. Carefully remove the lid plug while making sure the lid stays firmly in place. Release the air bubble by inserting the tamper through the lid plug opening.
- Holding the tamper straight down may not help the ingredients circulate. If necessary, point the tamper toward the sides or corners of the container. **DO NOT** try to force the tamper deeper into the container.

HINTS FOR SETTING SPEEDS

Always start the machine with the left switch down in the Variable (⚡) position and with the center Variable Speed Dial on 1. Slowly turn the Variable Speed Dial to the desired speed depending on the recipe used. If a recipe calls for processing on High (Δ), slowly rotate the Variable Speed Dial to 10 and then push the High/Variable Switch up into the High (Δ) position. **Do not begin processing on Variable 10 or directly on the High (Δ) setting.**

Process on the High (Δ) setting for as much of the processing time as possible to make whole food juices, soups, shakes, frozen mixtures, purées, nut butters and for grinding grains. Processing times will generally be less than one minute (most take less than 30 seconds). High (Δ) speed provides the best quality of refinement, breaking down ice, frozen fruit, whole fruits or vegetables, and grains to a smooth lump-free consistency.

TIP: Blending too long at too low a speed setting will overheat the machine and cause the Automatic Overload Protection to turn the machine off. Use the High (Δ) speed as often as possible to achieve the most uniform consistency. Blending on High (Δ) speed also maximizes the motor's cooling fan to avoid overheating.

When on the High (Δ), if the food does not circulate, the machine may be overloaded or may have trapped an air bubble. Carefully remove the lid plug while making sure the lid stays firmly in place. Release the air bubble by inserting the tamper through the lid plug opening. If circulation problems continue, reduce the machine speed. A lower speed may allow food to circulate when a higher speed does not. Once the food is circulating freely, increase the speed back to High (Δ) and continue processing.

⚠ CAUTION



Never Start on Speeds Above 1 with Hot Liquids to Avoid Possible Burns.

Escaping steam, splashes or contents may scald.

To secure the contents, lock the lid and lid plug securely in place prior to operating the machine.

Always start on Variable 1, slowly increase to 10.



OPERATING INSTRUCTIONS

Wet Blade Container

Designed for processing liquids including juice, frozen mixtures, sauces, soups, purees, batters, and for wet chopping.

1. Make sure that the Variable Speed Dial is set to 1.
2. Load the container before placing it on the motor base. Place liquids and soft foods in the container first, solid items and ice last. Although not necessary for blending, you may want to cut or break food into smaller pieces for more precise measuring of ingredients.
3. Securely fasten the 2-part lid. Always use the complete 2-part lid when blending (unless the tamper is inserted through the lid plug opening). Especially when blending hot ingredients, make sure the lid is securely latched.
4. With the motor off, set the wet blade container on the motor base by aligning it over the centering pad.

Do not ever attempt to put a container on an operating motor base or to operate a motor base without a container properly in place.

5. Start with the High/Variable Switch in the Variable (∟) position. Always start your machine on variable speed 1. Activate the machine by turning the On/Off Switch to On (I) then slowly increase to the desired speed. Your container will shift and get into an aligned position.
6. **Take proper care when handling and processing hot ingredients and making hot soups and sauces.**

⚠ CAUTION



Never Start on Speeds Above 1 with Hot Liquids to Avoid Possible Burns.

Escaping steam, splashes or contents may scald.

To secure the contents, lock the lid and lid plug securely in place prior to operating the machine.

Always start on Variable 1, slowly increase to 10.



7. Due to the machine's speed, processing times are much quicker than standard appliances. Until you are accustomed to the machine, count your time carefully to avoid over processing.
8. After turning the machine off, wait until the blades completely stop before removing the lid or container from the motor base.

OPERATING INSTRUCTIONS

Dry Blade Container

If purchased, your dry blade container should only be used for hard, dry materials such as grain, and for kneading dough.

1. Make sure that the Variable Speed Dial is set to 1.
2. Securely fasten the 2-part lid. Always use the complete 2-part lid when blending (unless the tamper is inserted through the lid plug opening).
3. With the motor off, set the dry blade container on the motor base by aligning it over the centering pad. Do not ever attempt to put a container on an operating motor base or to operate a motor base without a container properly in place.
4. Start with the High/Variable Switch in the Variable (\triangleleft) position. Always start your machine on variable speed 1. Activate the machine by turning the On/Off Switch to On (I) then slowly increase to the desired speed. Your container will shift and get into an aligned position.
5. After turning the machine off, wait until the blades completely stop before removing the lid or container from the motor base.
6. Due to the machine's speed, and the sometimes-short processing times, count your time carefully to avoid over-processing.
7. Grinding dry material for more than two minutes could damage your machine. Regular use may result in cosmetic marring of the container and cause the blades to become dull over time.
8. Grinding some herbs may release oils, causing the container to discolor permanently. Others have strong odors that may linger in the container, affecting the flavor of other foods. The grinding of some herbs and spices may also cause the blade to dull over time, or the container to crack.

CARE AND CLEANING

Container

To prepare your new machine for initial use, follow the steps under Normal Cleaning below. This will clean the unit, and break-in the motor.

Normal Cleaning:

1. Fill the container half full with warm water and add a couple drops of liquid dish washing detergent to the container.
2. Snap or push the complete 2-part lid into locked position.
3. Select variable speed 1. Turn machine on and slowly increase speed to variable speed 10, then to High.
4. Run the machine on High speed for 30 to 60 seconds.
5. Turn off the machine, and rinse and drain the container.

To Sanitize:

1. Follow Normal Cleaning instructions above.
2. Fill the container half full with water and 1 1/2 teaspoons of liquid bleach.
3. Snap or push the complete 2-part lid into locked position.
4. Select variable speed 1. Turn machine on and slowly increase speed to variable speed 10, then to High.
5. Run the machine on High speed for 30 to 60 seconds.
6. Turn off the machine, and allow mixture to stand in the container for an additional 1 1/2 minutes.
7. Pour bleach mixture out. Allow container to air dry.
8. Do not rinse after sanitizing.

Lid, Lid Plug and Tamper

Separate the lid and lid plug. Wash the parts in warm soapy water. Rinse clean under running water, and dry. Reassemble before use.

IMPORTANT: To ensure continued and effective performance, do not put the container, lid, lid plug or tamper in the dishwasher.

CARE AND CLEANING

Motor Base:

1. Unplug the power cord.

⚠ WARNING



Electrical Shock Hazard.

Disconnect power before cleaning machine.

Failure to follow instructions can cause death or electrical shock.



2. Wash the outside surface with a damp soft cloth or sponge, which has been rinsed in a mild solution of liquid detergent and warm water. Do not place the motor base in water.
3. The centering pad can be removed for more thorough cleaning.
4. Thoroughly clean the switches so they work freely. They may become sticky from use. Use a moistened cotton swab to clean the grooves around the water-shielded switches. Immediately dry any excess water.
5. Polish with a soft cloth.

TROUBLESHOOTING

Your Vitamix motor is designed to be protected from overheating during use. This feature will cause the motor to shut off and possibly emit a light odor.

If the motor shuts off, turn off the power switch for up to 45 minutes to reset. Reset time will be extended if high room temperatures exist.

If you continue to experience problems after allowing the motor to reset, contact your local distributor immediately for instructions.

Tips to prevent “overloading” your Vitamix machine:

- Only process Vitamix recipes when learning to use the machine
- Do not process recipes at lower speeds than those recommended
- Do not process recipes at higher speeds than those recommended
- Do not process recipes for longer than recommended
- Use your tamper to process thicker mixtures and keep ingredients moving around and through the blades

Retainer Nut Loosening

In the event that the retainer nut at the bottom of your container loosens and no longer holds the blade assembly securely in place, DO NOT CONTINUE TO USE THE CONTAINER. Contact your local dealer or distributor immediately.

WARRANTY

Full 5-Year Reconditioned Machine Warranty

1. PRODUCT REGISTRATION.

Vita-Mix® Corporation (“Vitamix”) strongly encourages you to register your purchase by completing and returning the product registration card that came with this Machine. You can register online at www.vitamix.com/warranty; or by calling our Customer Service Department at 1.800.848.2649 or 1.440.235.4840. Failure to register your product purchase will not diminish your warranty rights. However, registering your purchase will allow Vitamix to better serve you with any of your customer service needs.

2. WHO CAN SEEK WARRANTY COVERAGE.

This Warranty is extended by Vitamix to the owner of this Machine for personal household use only. This Warranty does not apply to products used for commercial, rental or re-sale purposes. Should ownership of the machine change during the 5-year period, please update the Machine’s owner information at www.vitamix.com/warranty.

3. WHAT IS COVERED.

Vitamix warrants to the owner that if this Machine (**a “Machine” consists of a motor blender base and any containers purchased together**) fails within 5 years from the date of purchase due to a defect in material or workmanship or as a result of normal wear and tear from ordinary household use, Vitamix will, within 30 days of receipt of the returned product, repair the failed Machine or component part of the Machine free of charge.

If, in Vitamix’s sole discretion, the failed Machine or component part of the Machine cannot be repaired, Vitamix will elect to either (A) replace the Machine free of charge or (B) refund the full purchase price to the owner, unless Vitamix receives prior written notice of the owner’s preference.

4. WHAT IS NOT COVERED.

This Warranty does not apply to Machines that have been used commercially or in non-household applications. This Warranty does not cover cosmetic changes that do not affect performance, such as discoloration or the effects of the use of abrasives or cleaners or food build up. This Warranty is only valid if the Machine is used and maintained in accordance with the instructions, warnings and safeguards contained in the owner’s manual.

Vitamix will not be responsible for the cost of any unauthorized warranty repairs.

REPAIR, REPLACEMENT OR REFUND OF THE PURCHASE PRICE ARE THE EXCLUSIVE REMEDIES OF PURCHASER AND THE SOLE LIABILITY OF VITAMIX UNDER THIS WARRANTY. NO EMPLOYEE OR REPRESENTATIVE OF VITAMIX IS AUTHORIZED TO MAKE ANY ADDITIONAL WARRANTY OR ANY

WARRANTY

MODIFICATION TO THIS WARRANTY WHICH MAY BE BINDING UPON VITAMIX. ACCORDINGLY, PURCHASER SHOULD NOT RELY UPON ANY ADDITIONAL STATEMENTS MADE BY ANY EMPLOYEE OR REPRESENTATIVE OF VITAMIX. IN NO EVENT, WHETHER BASED ON CONTRACT, INDEMNITY, WARRANTY, TORT (INCLUDING NEGLIGENCE), STRICT LIABILITY OR OTHERWISE, SHALL VITAMIX BE LIABLE FOR ANY SPECIAL, INDIRECT, INCIDENTAL OR CONSEQUENTIAL DAMAGES, INCLUDING, WITHOUT LIMITATION, LOSS OF PROFIT OR REVENUE.

Some states do not allow limits on warranties. In such states, the above limitations may not apply to you. Outside the U.S.A. and Canada, other warranties may apply.

5. WHAT VOIDS THIS WARRANTY.

Abuse, misuse, negligent use, alteration of the Machine, exposure to abnormal or extreme conditions, or failure to follow the operating instructions will void this Warranty.

The Warranty is also void if repairs to the Machine or any component part of the Machine are performed by someone other than either Vitamix or an authorized Vitamix Service Provider or if any component part of a Machine subject to this Warranty is used in combination with a motor base or container that is not expressly authorized by Vitamix.

6. HOW TO OBTAIN RETURN AUTHORIZATION UNDER THIS WARRANTY.

In the event that the Machine or any component part of the Machine needs service or repair, please call Vitamix Customer Service at 1.800.848.2649 or 1.440.235.4840. You will be asked to provide a date of purchase and proof of purchase for any product that has not been registered with Vitamix. For product subject to this Warranty you will be provided with a return authorization number, up-to-date shipping instructions and a pre-paid return pick up label. Vitamix will pay standard shipping costs on the return of a Machine or component part for warranty service and repair and for return shipment of the product to you after the warranty repair or replacement. Purchaser is responsible for the costs of special shipping requests.

Within the U.S.A. and Canada, this Warranty is honored directly through the Vita-Mix® Corporation.

United States

Vita-Mix® Corporation
8615 Usher Road
Cleveland, Ohio 44138-2199
1.800.848.2649
service@vitamix.com

Canada

Vita-Mix® Corporation
200-1701 Shepherd Street East
Windsor, Ontario N8Y 4Y5
1.800.848.2649
service@vitamix.com

WARRANTY

You will be deemed to have accepted the returned product “as is” upon delivery unless you notify Vitamix of any problem, including shipment damage, within 48 hours of delivery.

SPECIAL INTERNATIONAL INSTRUCTIONS

If a machine was purchased within the U.S.A, but is currently outside the U.S.A., all shipping and resulting taxes and duties are at the owner's expense.
Call +1.440.235.4840 or email service@vitamix.com for more details.

NOTES

SPECIFICATIONS

Vitamix® Certified Reconditioned - Standard

Motor:

≈ 2 peak output horsepower motor

Electrical:

120 V, 50/60 Hz, 11.5 A

Uses a U.S.A. three-prong grounded cord.

Dimensions:

Height: 20.3 in. / 51,6 cm

Width: 8.8 in. / 22,4 cm

Depth: 9 in. / 22,9 cm



To see the complete line of Vitamix® products,
visit **vitamix.com**.



Vita-Mix® Corporation
8615 Usher Road
Cleveland, OH 44138-2103 U.S.A.
1.800.848.2649 / 1.440.235.4840

vitamix.com

©2015 Vita-Mix® Corporation. No part of this publication may be reproduced or transmitted in any form or by any means or stored in a database or retrieval system without the written permission of the Vita-Mix® Corporation.



CERTIFIÉ RECONDITIONNÉ -
STANDARD

Manuel d'utilisation

Veuillez lire et conserver ces instructions.



Vita-Mix^{MD} Corporation
8615 Usher Road
Cleveland, OH 44138-2103 U.S.A.
1 800 848-2649/1 440 235-4840
vitamix.com

* L'image du produit peut légèrement
différer de la configuration de votre produit.

TABLE DES MATIÈRES

Table des matières.....	26
Avant de commencer.....	27
Assistance technique et enregistrement.....	28
Consignes de sécurité importantes.....	29
Symboles.....	31
Pièces et caractéristiques.....	32
Tableau de commande.....	34
À propos des couteaux.....	35
Pilon.....	36
Comment utiliser le pilon.....	37
Conseils pour le réglage des vitesses	38
Mode d'emploi	39
Entretien et nettoyage	41
Dépannage	42
Garantie	43
Remarques.....	46
Caractéristiques techniques.....	48

AVANT DE COMMENCER

Félicitations!

Vous êtes sur le point de constater combien une alimentation saine peut être rapide, simple et délicieuse!

Veuillez lire toutes les consignes de sécurité, tous les avertissements et tout le matériel didactique se trouvant dans ce guide avant de commencer. Placez votre appareil Vitamix sur une surface plane et sèche. Assurez-vous que l'interrupteur d'alimentation est réglé en position Arrêt et que l'appareil est branché dans une prise électrique mise à la terre. Ensuite, suivez les instructions de nettoyage à la page 41 pour préparer votre appareil à sa première utilisation. Nettoyez toujours l'appareil avant la première utilisation.

ASSISTANCE TECHNIQUE ET ENREGISTREMENT

Assistance technique Vitamix

Notez le numéro de modèle et le numéro de série de votre appareil Vitamix ci-dessous pour pouvoir vous y référer ultérieurement. Vous trouverez ces numéros à l'arrière du socle-moteur.

Numéro de modèle _____

Numéro de série _____

Date d'achat _____

Acheté de _____

Avant de retourner cet appareil pour quelque raison que ce soit, y compris une réparation, contactez d'abord le service à la clientèle de Vitamix en composant le 1 800 848-2649 ou le 1 440 235-4840 ou en envoyant un courriel à l'adresse service@vitamix.com, ou contactez le détaillant de votre région.

Enregistrement du produit

Si vous avez acheté votre appareil Vitamix^{MD} directement de Vita-Mix^{MD} Corporation par le biais du site Internet ou du centre d'appels (par téléphone) de l'entreprise, votre appareil a été enregistré au moment de l'achat et la garantie de votre appareil Vitamix a été activée.

Si vous avez acheté votre appareil Vitamix d'un distributeur ou d'un détaillant international provenant d'un pays autre que le Canada, les États-Unis, le Royaume-Uni ou l'Irlande, votre appareil est garanti par le distributeur ou le détaillant international et n'a pas besoin d'être enregistré auprès de Vita-Mix^{MD} Corporation.

Votre appareil n'est pas encore enregistré auprès de Vitamix si :

1. Vous l'avez acheté d'un détaillant au Canada, aux États-Unis, au Royaume-Uni ou en Irlande.
2. Vous l'avez acheté d'une base militaire.
3. Vous l'avez acheté dans un magasin de vente au détail ou en gros.
4. Vous avez reçu votre appareil Vitamix en cadeau.
5. Vous n'êtes pas le propriétaire original de l'appareil.

Nous serons en mesure de vous offrir un service d'assistance technique plus simple et plus rapide si vous prenez quelques minutes pour enregistrer votre appareil Vitamix dès aujourd'hui.

Choisissez l'une de ces méthodes pour enregistrer facilement votre appareil :

1. En ligne sur la page vitamix.com/warranty.
2. Par courriel à l'adresse service@vitamix.com.
3. Par téléphone en composant le 1 800 848-2649 ou le 1 440 235-4840, choisissez l'option 2.

Votre garantie peut être honorée par Vita-Mix^{MD} Corporation ou un détaillant autorisé.

Le fait de ne pas enregistrer votre appareil ne diminuera en rien vos droits de garantie.

CONSIGNES DE SÉCURITÉ IMPORTANTES



AVERTISSEMENT : Afin d'éviter les risques de blessures graves lors de l'utilisation de votre mélangeur Vitamix^{MD}, des mesures de sécurité de base doivent être appliquées, y compris les suivantes.

LISEZ TOUTES LES INSTRUCTIONS, TOUTES LES CONSIGNES DE SÉCURITÉ ET TOUS LES AVERTISSEMENTS AVANT D'UTILISER LE MÉLANGEUR.

1. Lisez toutes les instructions.
2. Cet appareil n'est pas conçu pour être utilisé par des enfants, des personnes dont les capacités physiques, sensorielles ou mentales sont réduites ou des personnes n'ayant pas l'expérience et les connaissances suffisantes, ni pour être utilisé à proximité de ces personnes. Une surveillance étroite est toujours requise lorsqu'un appareil est utilisé par des enfants ou des personnes à capacités réduites, ou à proximité de ces personnes.
3. Pour prévenir les risques de décharge électrique, ne placez pas le socle du mélangeur dans l'eau ou tout autre liquide.
4. Débranchez l'appareil lorsqu'il n'est pas utilisé, avant d'installer ou d'enlever des pièces, et avant de le nettoyer.
5. Évitez tout contact avec les pièces mobiles.
6. N'utilisez pas un appareil dont la fiche ou le cordon est endommagé(e) ni un appareil qui ne fonctionne pas correctement, qui est tombé ou qui a été endommagé de quelque façon que ce soit. Communiquez immédiatement avec le service à la clientèle de Vitamix en composant le 1 800 848-2649 ou le 1 440 235-4840 ou en envoyant un courriel à l'adresse service@vitamix.com si un examen, une réparation, un remplacement ou un réglage électrique ou mécanique est requis. Si l'achat a eu lieu dans un pays autre que le Canada ou les É.-U., communiquez avec le détaillant Vitamix de votre région.
7. L'altération ou la modification de toute partie du socle ou du récipient du mélangeur, y compris l'utilisation de toute pièce qui n'est pas une pièce d'origine autorisée par Vitamix, peut provoquer un incendie, une décharge électrique ou des blessures.
8. L'utilisation d'accessoires qui ne sont pas expressément autorisés ou vendus par Vitamix pour être utilisés avec ce mélangeur, y compris les bocaux de mise en conserve, peut provoquer un incendie, une décharge électrique ou des blessures.
9. N'utilisez pas l'appareil à l'extérieur.
10. Ne laissez pas le cordon de l'appareil pendre le long de la table ou du comptoir.
11. Ne laissez pas le cordon de l'appareil entrer en contact avec une surface chaude, notamment la cuisinière.
12. Gardez les mains et les ustensiles à l'extérieur du récipient pendant le fonctionnement afin de réduire le risque de blessures corporelles graves ou d'endommager le mélangeur. Vous pouvez utiliser un grattoir ou une spatule en caoutchouc, mais uniquement lorsque le mélangeur Vitamix ne fonctionne pas.
13. Le pilon fourni ne doit être utilisé que lorsque la pièce principale du couvercle est bien installée.

CONSIGNES DE SÉCURITÉ IMPORTANTES

14. Les couteaux sont tranchants. Soyez extrêmement vigilant en manipulant le couteau et le bloc de coupe ou en les retirant du récipient pour éviter les blessures. Afin de réduire les risques de blessure, ne placez le bloc de coupe sur le socle-moteur que lorsque le socle est fixé au récipient Vitamix.
15. Ne laissez pas d'objets étrangers, comme des cuillères, des fourchettes, des couteaux et le bouchon du couvercle, dans le récipient, car cela peut endommager les couteaux et d'autres composants lors du démarrage de l'appareil et causer des blessures.
16. N'essayez jamais d'utiliser l'appareil lorsque les couteaux sont endommagés.
17. Faites toujours fonctionner le mélangeur avec le couvercle et le bouchon du couvercle fermement en place. Ne retirez le bouchon du couvercle que pour ajouter des ingrédients et pour utiliser le pilon.
18. Lorsque vous mélangez des liquides ou des ingrédients chauds, soyez prudent, car des gouttelettes ou de la vapeur pourrai(en)t vous ébouillanter et causer des brûlures. Ne remplissez pas le récipient à sa capacité maximale. Commencez toujours à faire fonctionner l'appareil à la vitesse la plus basse. Gardez les mains et la peau exposée loin de l'ouverture du couvercle pour éviter les brûlures éventuelles.
19. Lors de la préparation de beurres de noix ou de produits alimentaires à base d'huile, ne faites pas fonctionner l'appareil plus d'une minute après que le mélange a commencé à circuler dans le récipient. Le fonctionnement de l'appareil pendant de longues périodes peut causer une surchauffe dangereuse.

CONSERVEZ CES INSTRUCTIONS

AVERTISSEMENT



Pour éviter les blessures.

Assurez-vous d'avoir lu et compris le mode d'emploi de l'appareil avant son utilisation.



INSTRUCTIONS IMPORTANTES POUR UNE UTILISATION SÉCURITAIRE

Cet appareil est conçu pour un USAGE DOMESTIQUE SEULEMENT et n'est pas destiné à un usage commercial.

Ne laissez pas votre mélangeur Vitamix sans surveillance lorsqu'il est en marche.

L'entretien, les réparations et le remplacement des pièces doivent être effectués par Vitamix ou un technicien autorisé.

CONSIGNES DE SÉCURITÉ IMPORTANTES

⚠ AVERTISSEMENT



Risque de décharge électrique

Utilisez seulement une prise mise à la terre.

N'ENLEVEZ PAS la broche de mise à la terre.

N'UTILISEZ PAS d'adaptateur.

N'UTILISEZ PAS de rallonge.

Le non-respect de ces instructions peut entraîner la mort ou causer une décharge électrique.

AVIS : LE NON-RESPECT DE TOUTE CONSIGNE DE SÉCURITÉ IMPORTANTE OU DE TOUTE INSTRUCTION IMPORTANTE VISANT UNE UTILISATION SÉCURITAIRE CONSTITUE UNE UTILISATION INAPPROPRIÉE DE VOTRE MÉLANGEUR VITAMIX SUSCEPTIBLE D'ANNULER VOTRE GARANTIE ET DE CAUSER DE GRAVES BLESSURES.

SYMBOLES



Attention



Évitez tout contact avec les pièces mobiles. Gardez les mains et les ustensiles à l'extérieur du récipient.



Risque de décharge électrique



Faites fonctionner l'appareil uniquement lorsque le couvercle et le bouchon du couvercle sont en place



Température élevée lors du mélange de liquides chauds



Lisez et comprenez le manuel d'utilisation



N'insérez rien dans le récipient lorsque le mélangeur est en marche

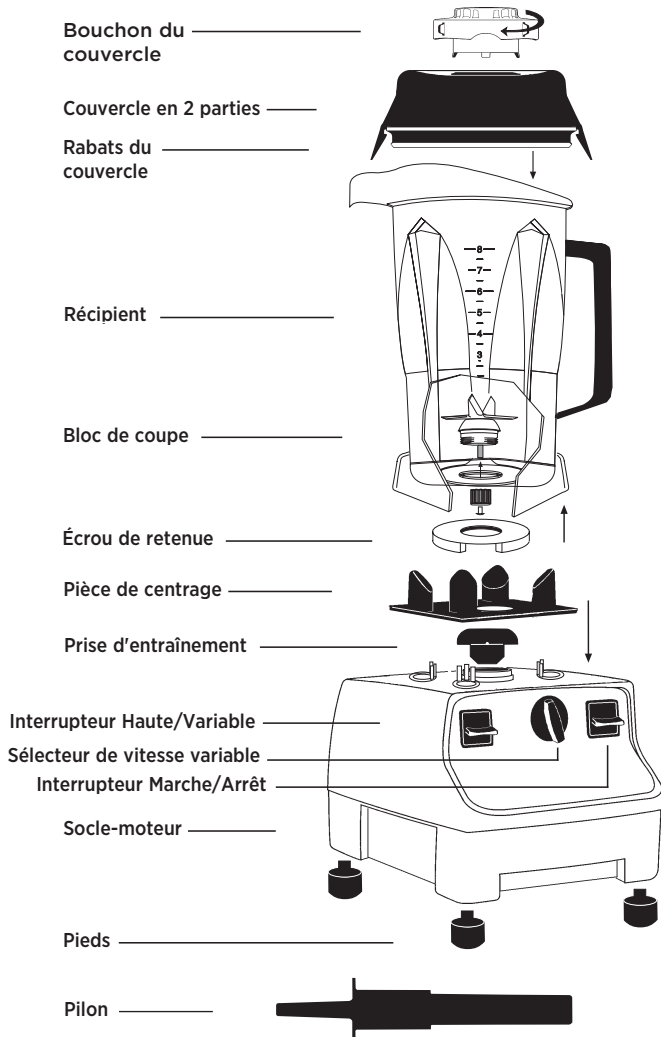


N'immergez pas l'appareil



Débranchez l'appareil lorsqu'il n'est pas utilisé, avant de le nettoyer et avant de changer ou de manipuler des pièces mobiles

PIÈCES ET CARACTÉRISTIQUES



* L'image du produit peut légèrement différer de la configuration de votre produit.

Interrupteur Marche/Arrêt : Démarrez toujours l'appareil avec l'interrupteur Haute/Variable à la position Variable (∟) et le sélecteur de vitesse variable pointant sur le 1. Mettez l'interrupteur Marche/Arrêt à la position Marche (I) pour commencer à mélanger. Appuyez sur l'interrupteur de manière à ce qu'il soit à la position Arrêt (O) pour arrêter de mélanger.

Interrupteur Haute/Variable : La position Variable (∟) permet d'utiliser le sélecteur de vitesse variable. La position Haute (Δ) permet d'obtenir la vitesse la plus rapide disponible.

PIÈCES ET CARACTÉRISTIQUES

⚠ AVERTISSEMENT



Les couteaux rotatifs peuvent causer de graves blessures.
NE mettez JAMAIS la main dans le récipient quand l'appareil est en marche.



Sélecteur de vitesse variable : Le sélecteur de vitesse variable permet de sélectionner des vitesses de rotation des couteaux allant de 1 à 10 (basse à haute).

Récipient : Les onces, les tasses et les millilitres sont clairement indiqués.



ATTENTION : Les couvercles et les pilons ne sont pas interchangeables entre récipients de différents styles, types et formats.

Couvercle en 2 parties : Le couvercle en 2 parties est facile à mettre et à enlever, de même qu'à nettoyer. Utilisez toujours le couvercle et le bouchon du couvercle lorsque l'appareil est en marche. Mettez le couvercle sur le récipient et laissez-le en place pendant quelques minutes. Une fois que le couvercle a été laissé sur le récipient, il est beaucoup plus facile de le verrouiller ou de l'enlever.

Bouchon du couvercle : Insérez le bouchon dans le couvercle et verrouillez-le en tournant vers la droite. Retirez le bouchon du couvercle pour utiliser le pilon ou ajouter des ingrédients.

Pilon : Le pilon vous permet d'accélérer le procédé de mélange d'ingrédients très épais et/ou glacés. L'utilisation du pilon assure la circulation en empêchant la formation de poches d'air.

Pour verrouiller le couvercle en place : Placez le couvercle sur le récipient en vous assurant que les rabats du couvercle sont à mi-chemin entre le bec et la poignée. Poussez le couvercle sur le récipient jusqu'à ce qu'il soit verrouillé en place. Le couvercle doit toujours être bien fixé lorsque l'appareil fonctionne, en particulier quand des liquides chauds pouvant provoquer des brûlures s'y trouvent. Ne faites jamais fonctionner le mélangeur sans vous assurer que le couvercle est bien verrouillé en place.

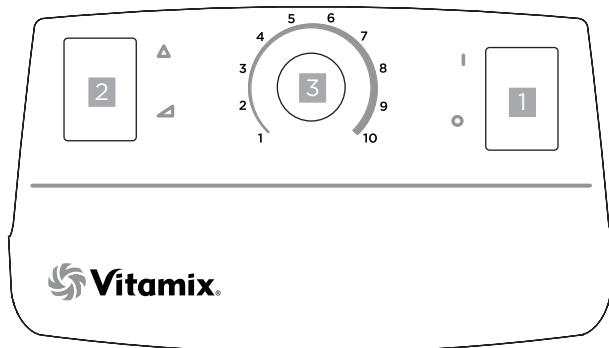
Pour retirer le couvercle : Soulevez un rabat du couvercle tout en tenant le récipient fermement.

Pour retirer le bouchon du couvercle : Tournez le bouchon du couvercle vers la gauche, de la position « verrouillée » à la position « déverrouillée », et soulevez-le.

Cordon d'alimentation : Votre appareil est muni d'un long cordon d'alimentation. Rangez soigneusement la partie inutilisée sous l'appareil.

Rembobineur de cordon : Des dispositifs de retenue de cordon en plastique retiennent le cordon. Ils sont flexibles et reviennent à leur position après que le cordon en a été tiré.

TABLEAU DE COMMANDE



1. Interrupteur Marche/Arrêt : Levez-le pour le mettre en position Marche (I). Abaissez-le pour le mettre en position Arrêt (O).

2. Interrupteur Haute/Variable : La position Haute (Δ) permet d'obtenir la vitesse la plus rapide disponible. Mettez l'interrupteur en position Variable (∇) pour activer les vitesses variables. **Assurez-vous toujours que l'interrupteur Haute/Variable est réglé sur la position Variable (∇) avant de lever l'interrupteur Marche/Arrêt pour le mettre en position Marche (I).** Ne mettez pas votre appareil en marche lorsque l'interrupteur est à la vitesse Haute (Δ).

3. Sélecteur de vitesse variable : Permet de sélectionner de nombreux réglages de vitesse. Il est actif uniquement lorsque l'interrupteur Haute/Variable est réglé sur la position Variable (∇).

À PROPOS DES COUTEAUX

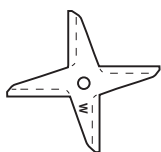
L'appareil Vitamix de base est vendu avec le récipient pour couteau humide. Le couteau est identifié par un « W » (première lettre du mot anglais « wet » qui signifie « humide »). Ce couteau est utilisé pour la plupart de vos recettes. Des récipients supplémentaires avec un couteau à lames humides ou sèches peuvent être achetés séparément.

⚠ AVERTISSEMENT

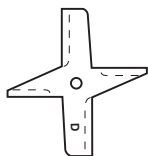


Les couteaux rotatifs peuvent causer de graves blessures.

NE mettez **PAS** la main dans le récipient lorsque l'appareil est en marche.



Récipient pour couteau humide : Conçu pour mélanger des liquides, y compris les jus, les préparations congelées, les sauces, les soupes, les purées et les pâtes à frire, de même que pour hacher les ingrédients humides. Les couteaux humides peuvent également mouliner le grain et pétrir la pâte, mais ils ne sont pas aussi efficaces que les couteaux secs pour cette application. S'il est utilisé pour mouliner, votre récipient marquera et deviendra trouble ; voir les instructions pour l'utilisation du récipient sec.



Récipient pour couteau sec : Ces couteaux sont clairement marqués d'un « D » (première lettre du mot anglais « dry » qui signifie « sec ») et sont spécialement conçus pour mouliner les ingrédients secs tels que les grains, les céréales et le café, et sont également utilisés pour pétrir la pâte à pain. Les couteaux secs **NE** peuvent **PAS** mélanger efficacement les liquides. **Si vous broyez des herbes régulièrement, vous pourriez songer à acheter un récipient pour couteau sec séparé et remplacer le couteau si nécessaire.**

⚠ ATTENTION



Les pièces mobiles peuvent devenir chaudes après une utilisation prolongée.

NE touchez **PAS** ces pièces.



PILON

⚠ ATTENTION



Les couteaux rotatifs peuvent causer des dommages.

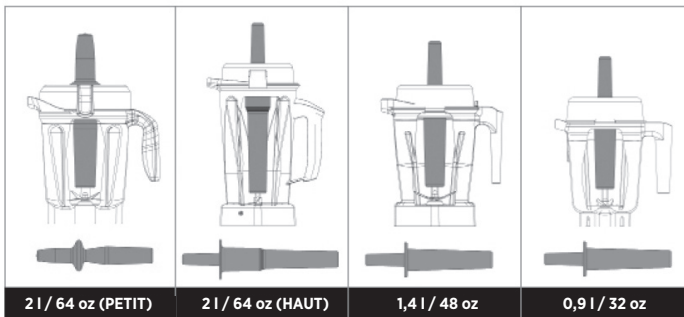
Les couvercles et les pilons ne sont pas interchangeables entre récipients de différents styles, types et formats. Utilisez le pilon qui a été fourni avec votre appareil.

Comment déterminer quel pilon peut être utilisé avec votre récipient

Chaque type de pilon est conçu pour être utilisé avec un récipient précis. **Si le pilon a été fourni avec votre récipient, il s'agit du pilon approprié pour ce récipient.** Si le pilon n'a pas été fourni avec votre récipient ou si vous voulez savoir si le pilon peut être utilisé avec votre récipient, veuillez comparer votre récipient et votre pilon à l'illustration ci-dessous.

Si vous n'avez pas le pilon approprié pour votre récipient, communiquez avec le service à la clientèle de Vitamix en composant le 1 800 848-2649 ou le 1 440 235-4840 ou en envoyant un courriel à l'adresse service@vitamix.com pour commander un nouveau pilon.

Pour vérifier si vous utilisez le pilon approprié, placez le couvercle sur un récipient vide, retirez le bouchon du couvercle et insérez le pilon. S'il s'agit du pilon approprié, il devrait s'insérer facilement dans l'ouverture, mais ne jamais entrer en contact avec les couteaux, et ce, peu importe la façon dont vous déplacez le pilon à l'intérieur du récipient. **SI LE PILON TOUCHE LES COUTEAUX LORSQU'IL EST DANS UN CERTAIN ANGLE, N'UTILISEZ PAS CE PILON AVEC VOTRE RÉCIENT.**



- Les petits récipients de 2 l (64 oz) utilisent le pilon 016041 qui a une longueur d'environ 24,75 cm (9 3/4 pouces).
- Les récipients hauts de 2 l (64 oz) utilisent le pilon 000760 qui a une longueur d'environ 31,75 cm (12 1/2 pouces).
- Les récipients de 0,9 l (32 oz) et 1,4 l (48 oz) utilisent le pilon 015033 qui a une longueur d'environ 28 cm (11 pouces).

COMMENT UTILISER LE PILON

⚠ AVERTISSEMENT



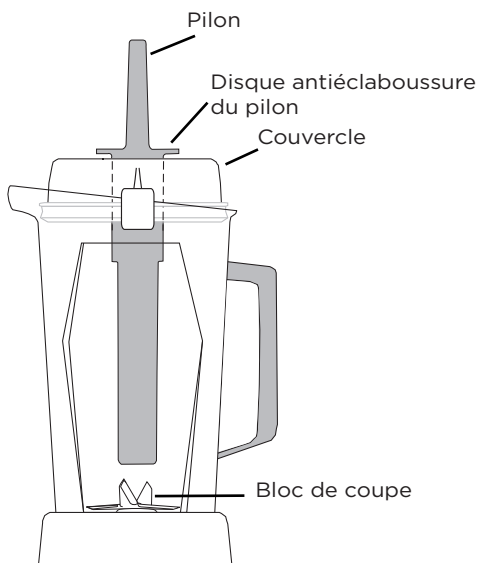
Les couteaux rotatifs peuvent causer de graves blessures.

- **GARDEZ TOUJOURS** les mains, les spatules, etc. hors du récipient pendant que l'appareil est en marche ou lorsque le récipient est encore sur le socle.
- Les couvercles et les pilons ne sont pas interchangeables entre récipients de différents styles, types et formats. Utilisez le pilon qui a été fourni avec votre appareil.



IMPORTANT :

- Lorsque le couvercle est correctement fixé en position verrouillée, le disque antiéclaboussure (près du haut du pilon) et le couvercle empêchent le pilon de frapper les couteaux.
- Le récipient ne doit pas être rempli plus qu'aux deux tiers lorsque le pilon est utilisé pendant le mélange.
- Pour éviter de faire surchauffer l'appareil pendant le mélange, n'utilisez PAS le pilon pendant plus de 30 secondes consécutives.
- Si les aliments ne circulent pas, il se peut qu'une bulle d'air soit emprisonnée dans l'appareil. Retirez avec soin le bouchon du couvercle tout en vous assurant que le couvercle reste bien en place. Faites sortir la bulle d'air en insérant le pilon par l'ouverture du bouchon du couvercle.
- Il se peut que le fait de tenir le pilon tout droit vers le bas n'aide pas les ingrédients à circuler. Au besoin, dirigez le pilon vers les côtés ou les coins du récipient. NE tentez PAS de faire entrer le pilon plus profondément dans le récipient.



CONSEILS POUR LE RÉGLAGE DES VITESSES

Assurez-vous toujours que l'interrupteur de gauche est à la position Variable (⚡) et que le sélecteur de vitesse variable du centre pointe vers le chiffre 1 avant de mettre l'appareil en marche. Tournez lentement le sélecteur de vitesse variable à la vitesse désirée en fonction de la recette utilisée. Si une recette requiert un mélange à la vitesse Haute (Δ), tournez lentement le sélecteur de vitesse variable jusqu'à 10, puis levez l'interrupteur Haute/Variable de manière à ce qu'il soit à la position Haute (Δ).

Ne commencez pas le traitement à la vitesse variable 10 ou directement sur le réglage Haute (Δ).

Mélangez en utilisant le réglage Haute (Δ) pendant le plus de temps possible pour préparer des jus, des soupes, des laits frappés, des préparations congelées, des purées et des beurres de noix à partir d'aliments entiers, de même que pour mouliner des grains. Les temps de mélange seront généralement de moins d'une minute (la plupart seront de moins de 30 secondes). La vitesse Haute (Δ) offre la meilleure qualité de raffinement, permettant ainsi de concasser la glace, les fruits congelés, les fruits et légumes entiers et les grains pour obtenir une consistance lisse sans grumeaux.

CONSEIL : Le fait de mélanger trop longtemps à un réglage de vitesse trop bas peut faire surchauffer l'appareil et provoquer l'arrêt de l'appareil par la protection automatique contre les surcharges. Utilisez la vitesse Haute (Δ) aussi souvent que possible pour obtenir la consistance la plus uniforme. Le fait de mélanger à la vitesse Haute (Δ) permet également d'exploiter au maximum le ventilateur de refroidissement du moteur pour éviter la surchauffe.

À la vitesse Haute (Δ), si les aliments ne circulent pas, il se peut que l'appareil soit surchargé ou qu'une bulle d'air soit prisonnière dans l'appareil. Retirez avec soin le bouchon du couvercle tout en vous assurant que le couvercle reste bien en place. Faites sortir la bulle d'air en insérant le pilon par l'ouverture du bouchon du couvercle. Réduisez la vitesse de l'appareil si les problèmes de circulation persistent. Une vitesse inférieure peut permettre aux aliments de circuler lorsqu'une vitesse plus élevée ne fonctionne pas. Une fois que les aliments circulent librement, augmentez la vitesse jusqu'à ce qu'elle soit Haute (Δ) de nouveau et poursuivez le mélange.

⚠ ATTENTION



Afin d'éviter d'éventuelles brûlures lorsque des liquides chauds sont mélangés, ne mettez jamais l'appareil en marche à une vitesse supérieure à 1.

La vapeur, les éclaboussures et le contenu s'échappant du récipient peuvent causer des brûlures.

Pour empêcher le contenu de sortir du récipient, assurez-vous de bien verrouiller en place le couvercle et le bouchon du couvercle avant de faire fonctionner l'appareil.

Mettez toujours l'appareil en marche à la position Variable 1, puis augmentez lentement la vitesse jusqu'à la position 10.



MODE D'EMPLOI

Récipient pour couteau humide

Conçu pour mélanger les liquides, ce qui comprend les jus, les surgelés, les sauces, les soupes, les purées et les pâtes et pour hacher avec du liquide.

1. Assurez-vous que le sélecteur de vitesse variable est réglé sur 1.
2. Remplissez le récipient avant de le placer sur le socle-moteur. Mettez d'abord les liquides et les aliments mous dans le récipient, puis continuez avec les aliments solides et la glace. Même si cela n'est pas nécessaire du point de vue du mélangeur, le fait de couper ou de casser les aliments en plus petits morceaux vous permettra de mesurer les ingrédients avec plus de précision.
3. Fixez solidement les deux pièces du couvercle. Mettez toujours en place les deux pièces du couvercle lorsque l'appareil est en marche (sauf pour insérer le pilon dans l'orifice du couvercle). Assurez-vous que le couvercle est fermé de façon sécuritaire, surtout lorsque vous mélangez des ingrédients chauds.
4. Après avoir arrêté le moteur, placez le récipient pour couteau humide sur le socle-moteur en l'alignant sur la pièce de centrage.

Ne tentez jamais de mettre le récipient sur le socle-moteur lorsque ce dernier est en marche ni de mettre en marche le socle-moteur lorsque le récipient n'est pas correctement en place.

5. Commencez avec l'interrupteur Haute/Variable à la position Variable (↙). Mettez toujours votre appareil en marche à la vitesse variable 1. Mettez l'appareil en marche en positionnant l'interrupteur Marche/Arrêt sur Marche (I) et en augmentant lentement jusqu'à la vitesse désirée. Votre récipient se repositionnera pour se centrer correctement.
6. **Prenez les précautions nécessaires lorsque vous manipulez et mélangez des ingrédients chauds et quand vous préparez des soupes et des sauces chaudes.**

⚠ ATTENTION



Afin d'éviter d'éventuelles brûlures lorsque des liquides chauds sont mélangés, ne mettez jamais l'appareil en marche à une vitesse supérieure à 1.

La vapeur, les éclaboussures et le contenu s'échappant du récipient peuvent causer des brûlures.

Pour empêcher le contenu de sortir du récipient, assurez-vous de bien verrouiller en place le couvercle et le bouchon du couvercle avant de faire fonctionner l'appareil.

Mettez toujours l'appareil en marche à la position Variable 1, puis augmentez lentement la vitesse jusqu'à la position 10.




7. En raison de la vitesse de l'appareil, les temps de mélange sont beaucoup plus courts que ceux des appareils courants. Tant que vous ne vous serez pas familiarisé avec le fonctionnement de l'appareil, respectez les temps de mélange pour éviter de trop traiter les aliments.
8. Après l'arrêt de l'appareil, attendez que le couteau s'arrête complètement avant de retirer le couvercle ou le récipient du socle-moteur.

MODE D'EMPLOI

Récipient pour couteau sec

Si vous avez acheté un récipient pour couteau sec, celui-ci doit être utilisé uniquement pour les ingrédients durs et secs comme les grains et pour pétrir la pâte.

1. Assurez-vous que le sélecteur de vitesse variable est réglé sur 1.
2. Fixez solidement les deux pièces du couvercle. Mettez toujours en place les deux pièces du couvercle lorsque l'appareil est en marche (sauf pour insérer le pilon dans l'orifice du couvercle).
3. Après avoir arrêté le moteur, placez le récipient pour couteau sec sur le socle-moteur en l'alignant sur la pièce de centrage. Ne tentez jamais de mettre le récipient sur le socle-moteur lorsque ce dernier est en marche ni de mettre en marche le socle-moteur lorsque le récipient n'est pas correctement en place.
4. Commencez avec l'interrupteur Haute/Variable à la position Variable ()
Mettez toujours votre appareil en marche à la vitesse variable 1. Mettez l'appareil en marche en positionnant l'interrupteur Marche/Arrêt sur Marche (I) et en augmentant lentement jusqu'à la vitesse désirée. Votre récipient se repositionnera pour se centrer correctement.
5. Après l'arrêt de l'appareil, attendez que le couteau s'arrête complètement avant de retirer le couvercle ou le récipient du socle-moteur.
6. En raison de la vitesse de l'appareil et des temps de traitement parfois courts, comptez le temps de traitement avec soin pour éviter de trop traiter les aliments.
7. Le fait de moudre des ingrédients secs pendant plus de deux minutes peut endommager votre appareil. Une utilisation régulière peut laisser des marques superficielles sur le récipient et émousser la lame avec le temps.
8. Le fait de broyer certaines herbes peut libérer des huiles, ce qui causera une décoloration permanente du récipient. Certaines herbes ont des odeurs fortes qui peuvent persister dans le récipient, affectant la saveur des autres aliments. Le fait de moudre certaines herbes et épices peut aussi émousser le couteau avec le temps ou fissurer le récipient.

ENTRETIEN ET NETTOYAGE

Récipient

Suivez les étapes décrites à la section Nettoyage normal ci-dessous pour préparer votre nouvel appareil pour sa première utilisation. Cela permettra de nettoyer l'appareil et de roder le moteur.

Nettoyage normal :

1. Remplissez le récipient d'eau chaude jusqu'à la moitié et ajoutez quelques gouttes de savon à vaisselle liquide dans le récipient.
2. Emboîtez ou enfoncez le couvercle en 2 parties au complet pour qu'il soit en position verrouillée.
3. Sélectionnez la vitesse variable 1. Mettez l'appareil en marche et augmentez progressivement la vitesse jusqu'à la vitesse variable 10, puis sélectionnez la position Haute.
4. Faites fonctionner l'appareil à haute vitesse pendant de 30 à 60 secondes.
5. Arrêtez l'appareil, puis rincez et égouttez le récipient.

Pour désinfecter :

1. Suivez les instructions de nettoyage normal ci-dessus.
2. Remplissez le récipient à moitié d'eau et ajoutez 1 1/2 cuillerée à thé d'eau de Javel.
3. Emboîtez ou enfoncez le couvercle en 2 parties au complet pour qu'il soit en position verrouillée.
4. Sélectionnez la vitesse variable 1. Mettez l'appareil en marche et augmentez progressivement la vitesse jusqu'à la vitesse variable 10, puis sélectionnez la position Haute.
5. Faites fonctionner l'appareil à haute vitesse pendant de 30 à 60 secondes.
6. Arrêtez l'appareil et laissez reposer le mélange dans le récipient pendant 1 1/2 minute supplémentaire.
7. Videz le récipient du mélange contenant de l'eau de Javel. Laissez le récipient sécher à l'air.
8. Ne rincez pas le récipient après la désinfection.

Couvercle, bouchon du couvercle et pilon

Séparez le couvercle et le bouchon du couvercle. Lavez les pièces dans de l'eau chaude savonneuse. Rincez à l'eau courante et séchez. Réinsérez le bouchon du couvercle dans le couvercle avant de les utiliser.

IMPORTANT : Pour assurer une performance continue et efficace, ne mettez pas le récipient, le couvercle, le bouchon du couvercle ou le pilon dans le lave-vaisselle.

ENTRETIEN ET NETTOYAGE

Socle-moteur :

1. Débranchez le cordon d'alimentation.

⚠ AVERTISSEMENT



Risque de décharge électrique

Coupez l'alimentation avant de nettoyer l'appareil.

Le non-respect de ces instructions peut entraîner la mort ou causer une décharge électrique.



2. Lavez la surface extérieure avec une éponge ou un chiffon doux humide qui a été rincé dans une solution de détergent liquide doux et d'eau chaude. Ne placez pas le socle-moteur dans l'eau.
3. La pièce de centrage peut être retirée pour un nettoyage plus approfondi.
4. Nettoyez soigneusement les interrupteurs afin qu'ils bougent sans obstruction. Ils peuvent devenir collants à force d'être utilisés. Imbibez un coton-tige et nettoyez les rainures autour des interrupteurs étanches. Séchez immédiatement tout excès d'eau.
5. Polissez le socle-moteur à l'aide d'un chiffon doux.

DÉPANNAGE

Le moteur de votre mélangeur Vitamix est conçu pour se protéger contre une surchauffe lorsqu'il est utilisé. Cette caractéristique entraînera l'arrêt du moteur et peut dégager une légère odeur.

Si le moteur s'arrête, placez l'interrupteur d'alimentation en position Arrêt pendant 45 minutes maximum pour le réinitialiser. Le temps de réinitialisation sera prolongé si la température ambiante est élevée.

Si vous continuez à rencontrer des problèmes après avoir réinitialisé le moteur, communiquez immédiatement avec le distributeur de votre région pour connaître la marche à suivre.

Conseils pour prévenir la « surcharge » de votre appareil Vitamix :

- Pour apprendre à utiliser l'appareil, ne préparez que des recettes Vitamix.
- Ne réduisez pas les vitesses de préparation recommandées pour les recettes.
- Ne dépassez pas les vitesses de préparation recommandées pour les recettes.
- Ne dépassez pas les temps de mélange recommandés pour les recettes.
- Utilisez votre pilon pour préparer des mélanges plus épais et gardez les ingrédients en mouvement autour des couteaux et dans ceux-ci.

Écrou de retenue desserré

Si l'écrou de retenue se trouvant au fond du récipient se desserre et ne maintient plus en place le bloc de coupe de manière sécuritaire, **CESSEZ D'UTILISER LE RÉCIPIENT**. Communiquez immédiatement avec le détaillant ou le distributeur de votre région.

GARANTIE

Garantie complète de l'appareil reconditionné pendant cinq (5) ans

1. ENREGISTREMENT DU PRODUIT.

Vita-Mix^{MD} Corporation (« Vitamix ») vous recommande vivement d'enregistrer votre achat en remplissant et en retournant la carte d'enregistrement du produit fournie avec cet appareil. Vous pouvez enregistrer votre produit en ligne sur www.vitamix.com/warranty ou en appelant notre service à la clientèle au 1 800 848-2649 ou au 1 440 235-4840. Le fait de ne pas enregistrer votre appareil ne diminuera en rien vos droits de garantie. Toutefois, l'enregistrement de votre achat permettra à Vitamix de mieux vous servir, peu importe vos besoins.

2. PERSONNES POUVANT BÉNÉFICIER DE CETTE GARANTIE.

Cette garantie est offerte par Vitamix au propriétaire de cet appareil pour un usage domestique personnel seulement. Cette garantie ne s'applique pas aux appareils utilisés à des fins commerciales, de location ou de revente. Si l'appareil devait changer de propriétaire pendant la période de 5 ans, vous devez mettre à jour les informations du propriétaire de l'appareil sur www.vitamix.com/warranty.

3. CE QUI EST COUVERT.

Vitamix garantit au propriétaire que si cet appareil (**un « appareil » consiste en le socle-moteur du mélangeur et les récipients achetés ensemble**) ne fonctionne plus dans les 5 ans suivant la date d'achat en raison d'un défaut de matériau ou de fabrication ou à la suite d'une usure normale pour un usage domestique, Vitamix procédera, dans les 30 jours suivant la réception du produit retourné, à la réparation de l'appareil ou du composant défaillant sans frais.

Si, à la seule discrétion de Vitamix, l'appareil ou le composant défaillant ne peut pas être réparé, Vitamix décidera soit (A) de remplacer l'appareil sans frais ou (B) de rembourser le prix d'achat total au propriétaire, à moins que Vitamix reçoive un préavis écrit indiquant la préférence du propriétaire.

4. CE QUI N'EST PAS COUVERT.

Cette garantie ne s'applique pas aux appareils qui ont été utilisés pour des applications commerciales ou autres que domestiques. Cette garantie ne couvre pas les changements cosmétiques qui n'affectent pas la performance de l'appareil comme la décoloration, les effets de l'utilisation d'abrasifs ou de nettoyants ou les accumulations d'aliments. Cette garantie n'est valable que si l'appareil est utilisé et entretenu conformément aux instructions, aux avertissements et aux consignes de sécurité contenus dans le manuel d'utilisation.

Vitamix ne pourra pas être tenue responsable du coût de réparations sous garantie non autorisées.

LA RÉPARATION, LE REMPLACEMENT OU LE REMBOURSEMENT DU PRIX D'ACHAT DE L'APPAREIL SONT LES RECOURS EXCLUSIFS DE L'ACHETEUR ET LA SEULE RESPONSABILITÉ DE VITAMIX EN VERTU DE CETTE GARANTIE. AUCUN EMPLOYÉ OU REPRÉSENTANT DE VITAMIX N'EST AUTORISÉ À ACCORDER UNE GARANTIE SUPPLÉMENTAIRE OU À APPORTER UNE MODIFICATION À CETTE GARANTIE POUVANT LIER VITAMIX. PAR CONSÉQUENT, L'ACHETEUR NE DOIT PAS SE FIER À TOUTE AUTRE DÉCLARATION FAITE PAR UN EMPLOYÉ OU UN REPRÉSENTANT

GARANTIE

DE VITAMIX. EN AUCUN CAS, QUE CE SOIT EN RAISON D'UN CONTRAT, D'UNE INDEMNISATION, D'UNE GARANTIE, D'UN ACTE DÉLICTEUX (Y COMPRIS LA NÉGLIGENCE), D'UNE RESPONSABILITÉ STRICTE OU AUTRE, VITAMIX NE POURRA ÊTRE TENUE RESPONSABLE DE DOMMAGES SPÉCIAUX, INDIRECTS, ACCESSOIRES OU CONSÉCUTIFS, Y COMPRIS, MAIS SANS S'Y LIMITER, LES PERTES DE PROFITS OU DE REVENUS.

Certaines provinces et certains territoires ne permettent pas de limites sur les garanties. Si vous habitez dans ces provinces et territoires, les limites ci-dessus peuvent ne pas s'appliquer à vous. Dans les pays autres que le Canada et les États-Unis, d'autres garanties peuvent s'appliquer.

5. CE QUI ANNULE CETTE GARANTIE.

L'utilisation abusive, inappropriée ou négligente de l'appareil, l'altération de l'appareil, l'exposition de l'appareil à des conditions anormales ou extrêmes et le non-respect des consignes d'utilisation annulent cette garantie.

La garantie est aussi annulée si l'appareil ou un composant de l'appareil est réparé par une personne autre qu'un réparateur de Vitamix ou autorisé par Vitamix ou si un composant de l'appareil visé par la présente garantie est utilisé en combinaison avec un socle-moteur ou un récipient qui n'est pas expressément autorisé par Vitamix.

6. COMMENT OBTENIR UNE AUTORISATION DE RETOUR EN VERTU DE CETTE GARANTIE.

Si l'appareil ou un composant de l'appareil doit être entretenu ou réparé, veuillez communiquer avec le service à la clientèle de Vitamix en composant le 1 800 848-2649 ou le 1 440 235-4840. Si votre appareil n'a pas été enregistré auprès de Vitamix, vous devrez fournir une date d'achat et une preuve d'achat. Si le produit est couvert par la présente garantie, vous recevrez un numéro d'autorisation de retour, les instructions d'expédition les plus récentes et une étiquette de collecte de retour affranchie. Vitamix paiera les frais d'expédition normaux pour le retour de l'appareil ou d'un composant de l'appareil pour les réparations et l'entretien couverts par la garantie, ainsi que les frais liés à l'expédition de retour du produit à votre adresse après la réparation ou le remplacement couvert par la garantie. L'acheteur est responsable des coûts pour les demandes d'expédition spéciales.

Au Canada et aux États-Unis, cette garantie est honorée directement par Vita-Mix^{MD} Corporation.

États-Unis

Vita-Mix^{MD} Corporation
8615 Usher Road
Cleveland, Ohio 44138-2199
1 800 848-2649
service@vitamix.com

Canada

Vita-Mix^{MD} Corporation
200-1701 Shepherd Street East
Windsor, Ontario N8Y 4Y5
1 800 848-2649
service@vitamix.com

GARANTIE

Vous serez réputé avoir accepté le produit retourné « tel quel » lors de la livraison, sauf si vous avisez Vitamix de tout problème, y compris de dommages subis pendant le transport, dans les 48 heures suivant la livraison.

INSTRUCTIONS INTERNATIONALES SPÉCIALES

Si un appareil a été acheté aux États-Unis, mais qu'il se trouve actuellement à l'extérieur des États-Unis, l'expédition ainsi que les taxes et les droits d'importation en découlant sont à la charge du propriétaire. Veuillez appeler au 1 440 235-4840 ou envoyer un courriel à l'adresse service@vitamix.com pour obtenir plus de détails.

REMARQUES

CARACTÉRISTIQUES TECHNIQUES

Vitamix^{MD} certifié reconditionné - Standard

Moteur :

Moteur d'une puissance maximale d'environ 2 hp

Électrique :

120 V, 50/60 Hz, 11,5 A

Muni d'un cordon à trois broches mis à la terre pour les É.-U.

Dimensions :

Hauteur : 20,3 po/51,6 cm

Largeur : 8,8 po/22,4 cm

Profondeur : 9 po/22,9 cm



Pour voir la gamme complète de produits Vitamix^{MD},
visitez le site **vitamix.com**.



Vita-Mix^{MD} Corporation
8615 Usher Road
Cleveland, OH 44138-2103 U.S.A.
1 800 848-2649/1 440 235-4840

vitamix.com

©2015 Vita-Mix^{MD} Corporation. Aucune partie de cette publication ne peut être reproduite ou transmise sous quelque forme ou par quelque moyen ou stockée dans une base de données ou un système d'extraction sans la permission écrite de Vita-Mix^{MD} Corporation.

111658 Rév A ENG/FRE