



## ADVANCE® CONTAINER

### Greater Efficiency and Speed of Service

The Advance container creates faster, smoother pouring and has a longer container and blade life.

### Smart Product Design

- Unique shape and design improves blends and pourability, resulting in time and cost savings and an improved speed of service
- Built-in, dripless spout means less mess and waste
- Superior durability with double-sealed bearings, provides a longer blade life
- Shatter-proof polycarbonate container
- Operates with current machine programming or allows for new, more efficient programming



Unique shape and design

## Product Specifications

### Advance® Container

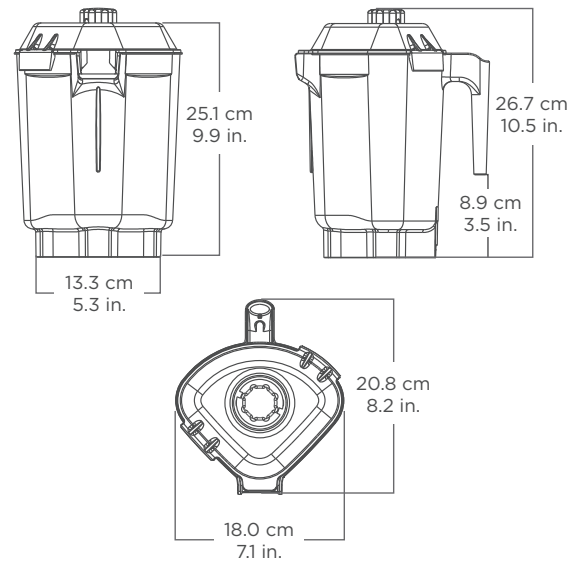
Item Number: 15981  
 Pack: Includes 0.9 L high-impact, clear/stackable Advance container, complete with Advance blade assembly and lid.  
 Net Weight: 1.0 kg (0.9 kg with box)  
 Dimensions: 26.7 x 18.0 x 20.8 cm (H x W x D)

### Advance Container

Item Number: 15978  
 Pack: Includes 1.4 L high-impact, clear/stackable Advance container, complete with Advance blade assembly and lid.  
 Net Weight: 1.0 kg (0.9 kg with box)  
 Dimensions: 26.7 x 18.0 x 20.8 cm (H x W x D)

Warranty: Please contact your authorised Vitamix distributor for warranty information.

### 15981 and 15978

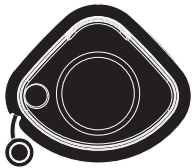


Where applicable:



## Also Available

Item Number: 15092: Rubber splash lid with tethered lid plug. For Advance container only.



## Compatible Machines

### Advance Container

Item Number: 15981: Drink Machine Advance®  
 BarBoss® Advance®  
 T&G® 2 Blending Station®  
 15978: Blending Station® Advance®

## Contact Information

### U.S.A.:

Phone: 800.437.4654  
 Fax: 440.235.9670  
 Email: commercial@vitamix.com

### vitamix.com

For more information, contact your local foodservice distributor.

### Outside of U.S.A.:

Phone: +1.440.782.2450  
 Fax: +1.440.782.2220  
 Email: international@vitamix.com